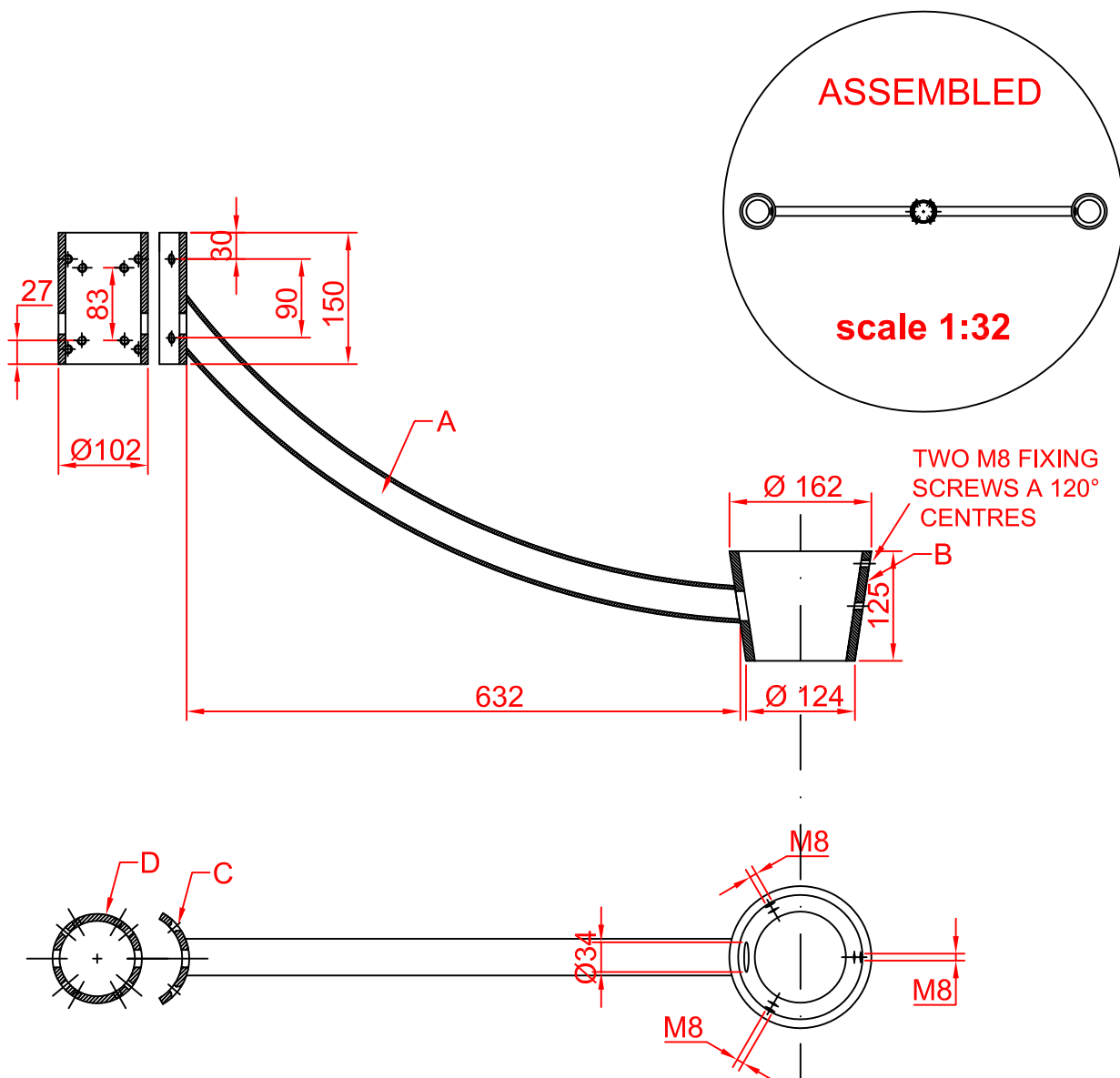


ARESE

2 head pole bracket detail

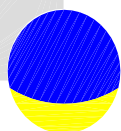
The bracket conforms to UNI EN 10219 steel is painted to match the luminaire pole.

- A) Two steel arms with a 632mm out reach from pole. The arms have a $\text{Ø}42\text{mm}$ with a 4mm wall thickness.
- B) Two steel collars to support luminaires with M8 grub screws.
- C) Two attachment plates to locate onto column.
- D) Column and bracket fixing collar.



Certification: UNI EN ISO 9001:2000

SCH06: technical card of specifications
 Revision: 00 - Date Rev. 03-11-2004 Scale: 1:8
 SCH06_ARESE 2 head pole bracket detail_R00



HOLOPHANE[®]
 LEADER IN LIGHTING SOLUTION

Holophane Europe Ltd
 Bond Avenue, Milton Keynes, MK1 1JG, United Kingdom
 Tel : +44 (0) 1908 649292 Fax : +44 (0) 1908 367618
 e-mail : info@holophane.co.uk
 web : www.holophane.co.uk or www.holophane.eu.com