

# ARESE

## luminaire for single post top pole mount only

The luminaire conforms to CEI regulations with an ingress protection of IP43.

Aluminium components comply to the following standard UNI EN 1706 & UNI EN 573

Steel components comply to UNI EN 10219

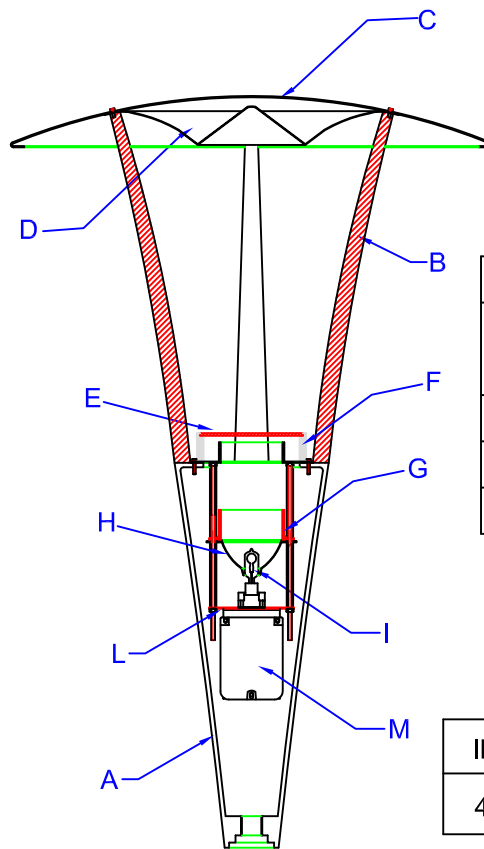
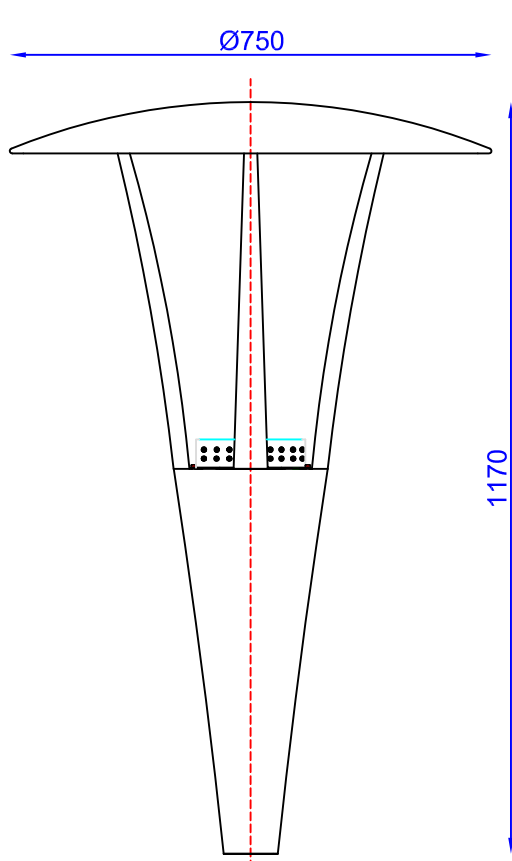
- A) Conical shaped luminaire body manufactured in cast aluminium. Housing the control gear and optics.
- B) 4 x cast aluminium canopy supports.
- C) Spun aluminium canopy.
- D) Painted white canopy reflector to direct light downwards.
- E) Tempered glass lens.
- F) Perforated steel ring to support lens assembly (E)
- G) Cylindrical steel light director (directs light upwards).
- H) Internal symmetrical specular aluminium reflector.
- I) 150W metal halide lamp (G12 base), lamp included.
- L) Lamp holder bracket.
- M) Gear tray.

overall height: 1170mm

overall diameter: Ø750

weight: 15kg

NOTE: All screws in stainless steel.



METAL HALIDE			
		150 W	
		⊕	
		⊕	
		⊕	

⊕ Class I

⊕ Class II

IP	MAX TA	WINDAGE
43	40°C	0.18 m <sup>2</sup>

Certification: UNI EN ISO 9001:2000



**HOLOPHANE**  
LEADER IN LIGHTING SOLUTION

SCH06: technical card of specifications

Revision: 00 - Date Rev. 08-11-2004 - Scale: 1:8

SCH06\_ARESE luminaire for single post top pole mount only\_R00

**Holophane Europe Ltd**

Bond Avenue, Milton Keynes, MK1 1JG, United Kingdom

Tel : +44 (0) 1908 649292 Fax : +44 (0) 1908 367618

e-mail : [info@holophane.co.uk](mailto:info@holophane.co.uk)

web : [www.holophane.co.uk](http://www.holophane.co.uk) or [www.holophane.eu.com](http://www.holophane.eu.com)

