

ARESE

Pole for single post top mounting

The pole conforms to
 UNI EN 1561 cast iron poles
 UNI EN 10219-1 steel poles
 UNI EN ISO 1461:1999 galvanising

A) Root mounted tubular base compartment pole.
 Manufactured from hot dipped galvanised steel.
 Approximately 3000mm height above ground
 with Ø60mm shaft.
 Ø127mm diameter base compartment
 complete with access door and cable entry slot.
 800mm root mount depth.
 Access door for cable connection is 200mm x
 85mm.
 Top of pole complete with ¾ inch gas pipe
 thread specifically for ARESE luminaire.

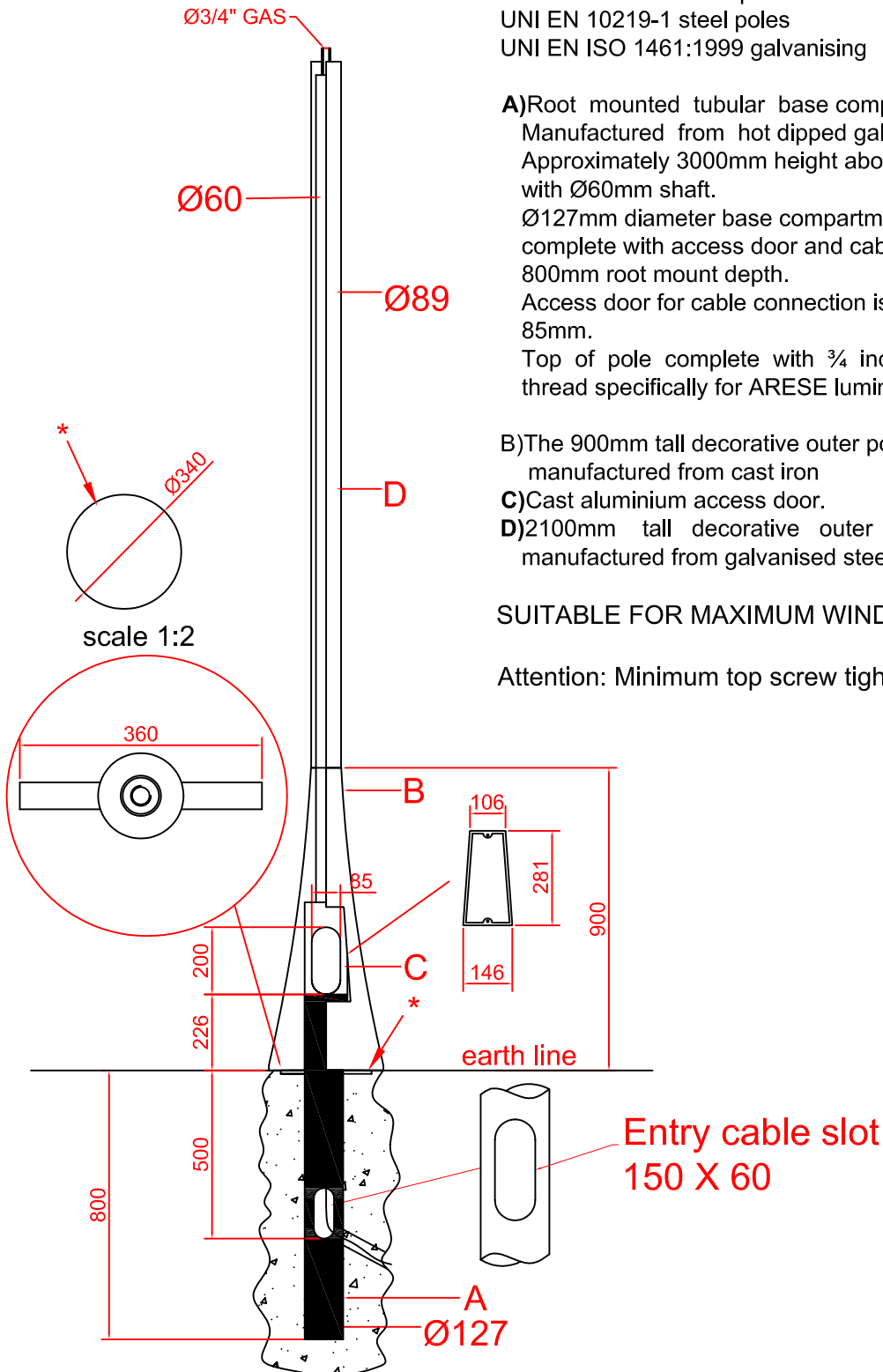
B) The 900mm tall decorative outer pole base is
 manufactured from cast iron

C) Cast aluminium access door.

D) 2100mm tall decorative outer pole shaft
 manufactured from galvanised steel Ø89mm.

SUITABLE FOR MAXIMUM WIND SPEED OF 52 m/s

Attention: Minimum top screw tightening torque 200 Nm



Certification: UNI EN ISO 9001:2000

Sch06: technical card of specifications

Revision: 01 - Date Rev. 27/01/2006 - Scale: 1:20

SCH06_ARESE Pole for single post top mounting_R01



HOLOPHANE
 LEADER IN LIGHTING SOLUTION

Holograph Europe Ltd

Bond Avenue, Milton Keynes, MK1 1JG, United Kingdom

Tel : +44 (0) 1908 649292 Fax : +44 (0) 1908 367618

e-mail : info@holograph.co.uk

web : www.holograph.co.uk or www.holograph.eu.com