

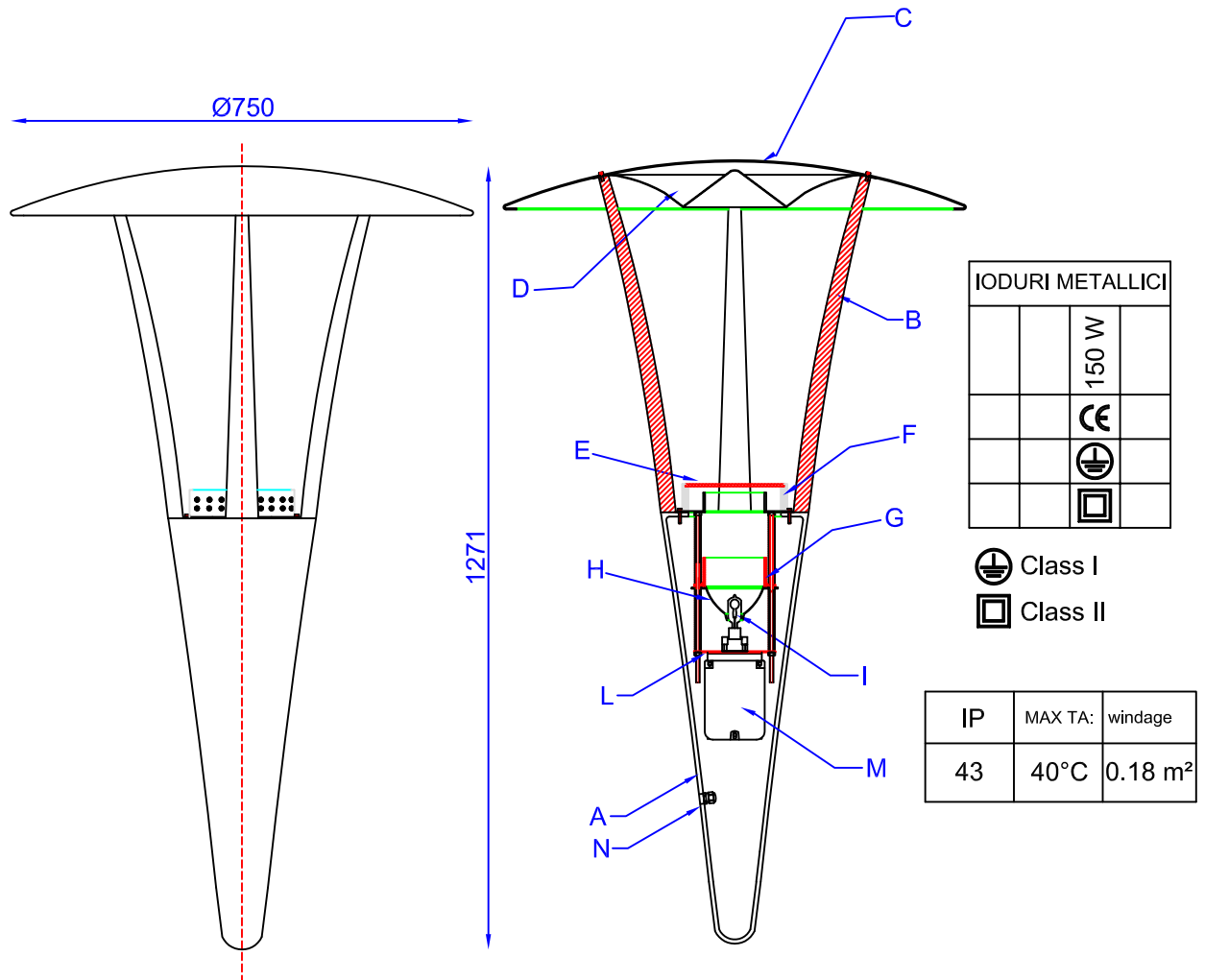
ARESE LUMINIARE

suitable for 2 or 3 head pole mount or wall mount only

The luminaire conforms to CEI regulations with an ingress protection of IP43.
Aluminium components comply to the following standard UNI EN 1706 & UNI EN 573
Steel components comply to UNI EN 10219

- A) Conical shaped luminaire body manufactured in cast aluminium. Housing control gear and optics
- B) 4 x cast aluminium canopy supports.
- C) Spun aluminium canopy.
- D) Painted white canopy reflector to direct light downwards.
- E) Tempered glass lens.
- F) Perforated steel ring to support lens assembly (E).
- G) Cylindrical steel light director (directs light upwards).
- H) Internal symmetrical specular aluminium reflector.
- I) 150W metal halide lamp (G12 base) lamp included.
- L) Lamp holder bracket.
- M) Gear tray.
- N) PG9 plastic cable entry gland.

Overall Height : 1270mm
Overall Diameter : Ø750mm
Weight : 15kg



Certification: UNI EN ISO 9001:2000

SCH06: technical card of specification
revision: 00 - Date Rev. 08-11-2004 scale: 1:12

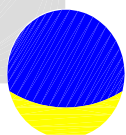
Holophane Europe Ltd

Bond Avenue, Milton Keynes, MK1 1JG, United Kingdom

Tel : +44 (0) 1908 649292 Fax : +44 (0) 1908 367618

e-mail : info@holophane.co.uk

web : www.holophane.co.uk or www.holophane.eu.com



HOLOPHANE
LEADER IN LIGHTING SOLUTION