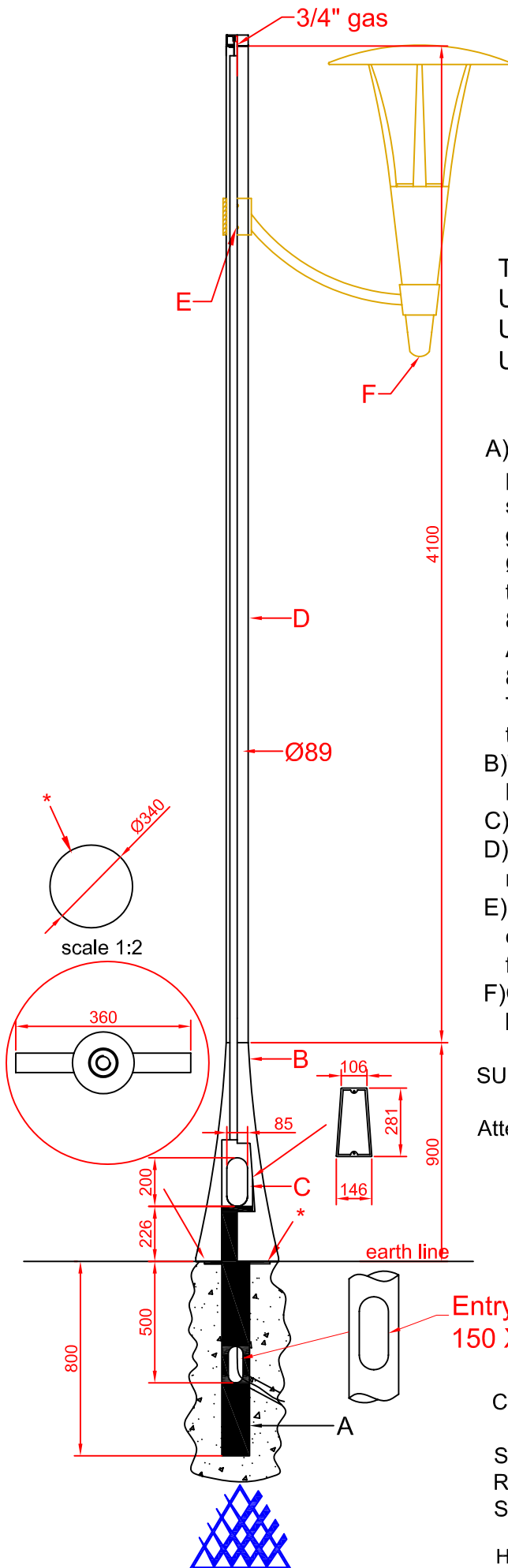


# ARESE Pole with 1 luminaire



The pole conforms to:  
 UNI EN 1561 cast iron poles.  
 UNI EN 10219-1 steel poles.  
 UNI EN ISO 1461:1999 galvanising.

- A) Root mounted inner tubular base compartment pole. Manufactured from hot dipped galvanised steel. Approximately 5000mm height above ground with Ø60mm shaft. Ø127mm diameter base compartment complete with access door and cable entry slot. 800mm root mount depth. Access door for cable connection is 200mm x 85mm. Top of pole complete with ¾ inch gas pipe thread specifically for ARESE luminaire.
- B) The 900mm tall decorative outer pole base is manufactured from cast iron.
- C) Cast aluminium access door.
- D) 4100mm tall decorative outer pole shaft manufactured from galvanised steel Ø89mm.
- E) 1 luminaire bracket Ø42mm with luminaires equispaced at 120 degrees. Manufactured from steel.
- F) Complete with 1 Arese luminaires (see luminaire spec sheet for dimension and detail).

SUITABLE FOR MAXIMUM WIND SPEED OF 38 m/s

Attention: Minimum top screw tightening torque 200 Nm

Certification: UNI EN ISO 9001:2000

Sch06: technical card of specifications  
 Revision: 01 - Date Rev. 26/01/2006 - Scale: 1:20  
 SCH06\_ARESE Pole with 1 luminaires\_R01

Holophane Europe Ltd  
 Bond Avenue, Milton Keynes, MK1 1JG, United Kingdom  
 Tel : +44 (0) 1908 649292 Fax : +44 (0) 1908 367618  
 e-mail : info@holophane.co.uk  
 web : www.holophane.co.uk or www.holophane.eu.com