

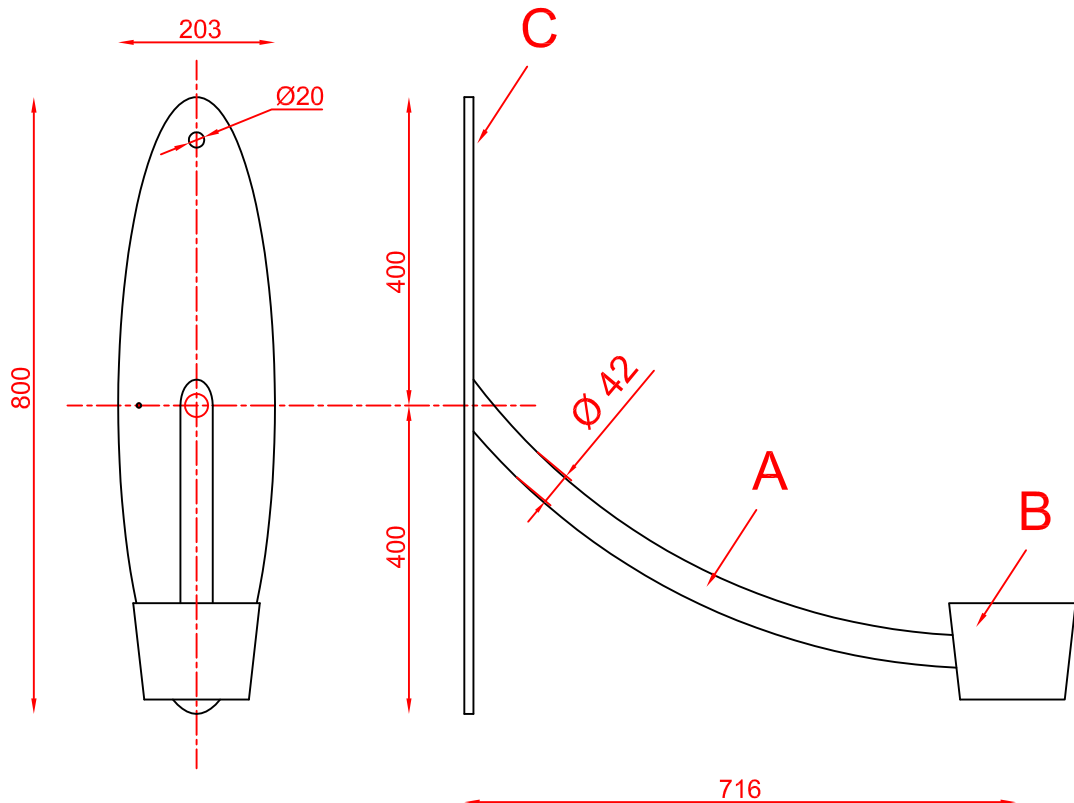
ARESE

wall bracket for single luminaire

The bracket conforms to UNI EN 10219 steel (FE 360) AND UNI EN ISO 1461:1999 for galvanising. Is painted to match the luminaire colour.

- A) One steel arm with a 716mm out reach from wall. The arm has a $\text{Ø}42\text{mm}$ with a 4mm wall thickness.
- B) One steel collar to support one luminaire with M8 grub screws.
- C) Wall mounting plate with 2 x M18 fixing holes and an M6 earth fixing.

Overall Height : 800 mm
Out Reach From Wall: 716 mm.



Certification: UNI EN ISO 9001:2000

SCH06: technical card of specifications
Revision: 00 - Data Rev. 08-11-2004 - Scale: 1:10
SCH06_ARESE wall bracket for single luminaire_R00.dwg

Holophane Europe Ltd
Bond Avenue, Milton Keynes, MK1 1JG, United Kingdom
Tel : +44 (0) 1908 649292 Fax : +44 (0) 1908 367618
e-mail : info@holophane.co.uk
web : www.holophane.co.uk or www.holophane.eu.com



HOLOPHANE
LEADER IN LIGHTING SOLUTION