



**HOLOPHANE®**

An **Acuity** Brands Company



ratio







ratio







**Ratio** is a contemporary styled post top luminaire manufactured from fully cast aluminium housing that supports 48 LEDs (Light Emitting Diodes) engineered to produce illumination equivalent to a traditional 150 watt metal halide lamp.

Its stylistic and ultra thin “finned” design serves both as an architectural statement and thermal heat sink for the LEDs. Optical control is achieved through the marriage of individual refractors influencing each LED independently. The driver module is conveniently mounted at the base of the column for maximum thermal management. Ratio is available as a complete lighting solution with bespoke Holophane conical steel and conical aluminium columns.

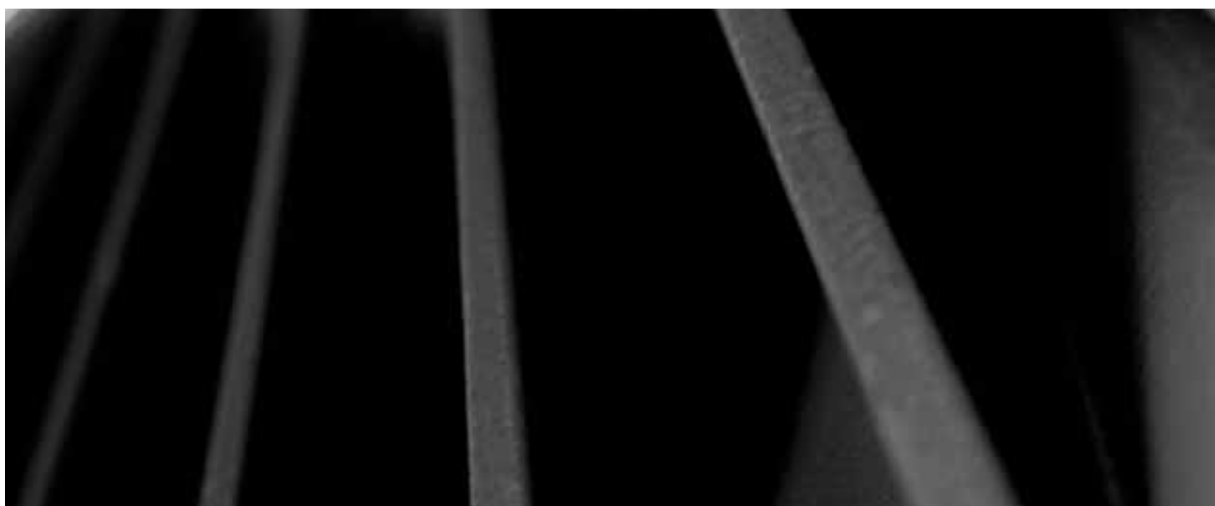
#### **optics / light source**

- > Individual clear acrylic optical lenses providing symmetrical or asymmetrical distributions
- > 48 Philips Lumileds LEDs delivering 10,500 lumens total light output of luminaire
- > Correlated colour temperature (CCT) of luminaire is 6500K
- > 50,000 hours life at 1000mA with 70% lumen maintenance achieved
- > 197 watts
- > LEDs x 4.1w per LED

#### **approvals**

**TA** -30° to +30°

For further information please visit the Holophane website



### weight

#### Code

Ratio 20.4kg

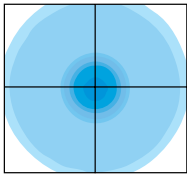
### windage

#### Code

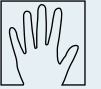
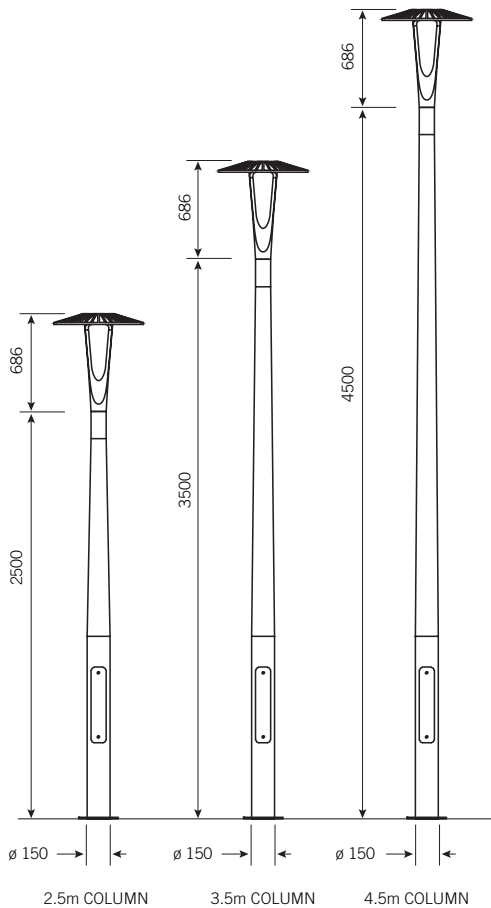
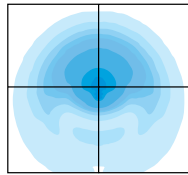
Ratio 0.09m<sup>2</sup>

### light distribution

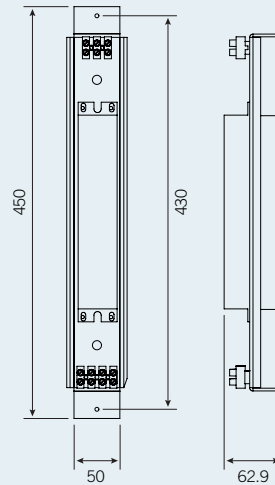
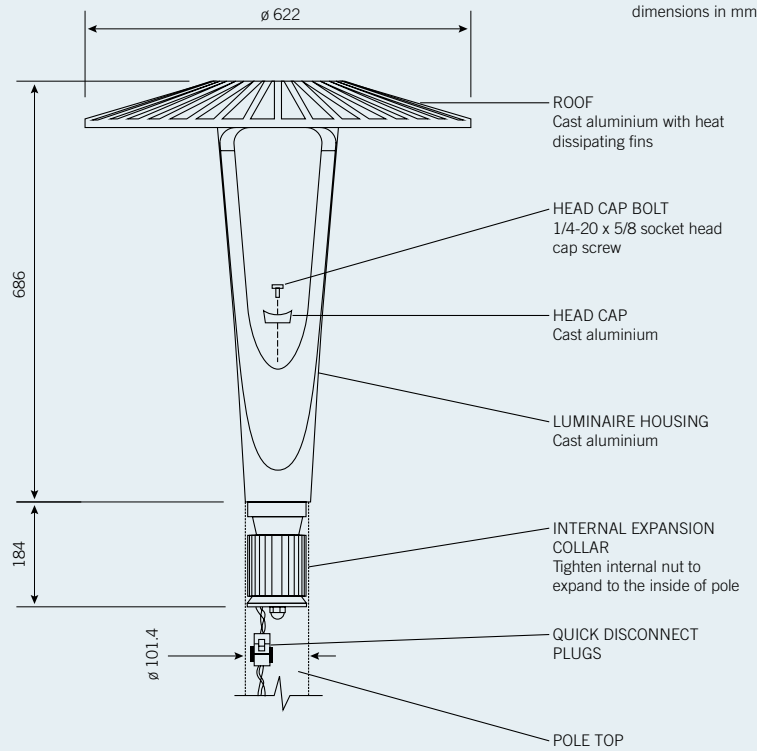
Symmetric



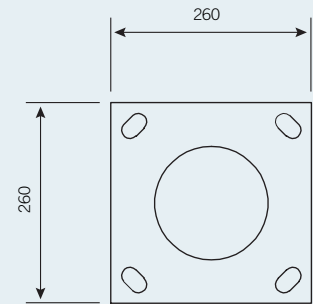
Asymmetric



dimensions in mm



GEAR TRAY  
(MOUNTED IN COLUMN BASE)



FLANGE PLATE DETAIL

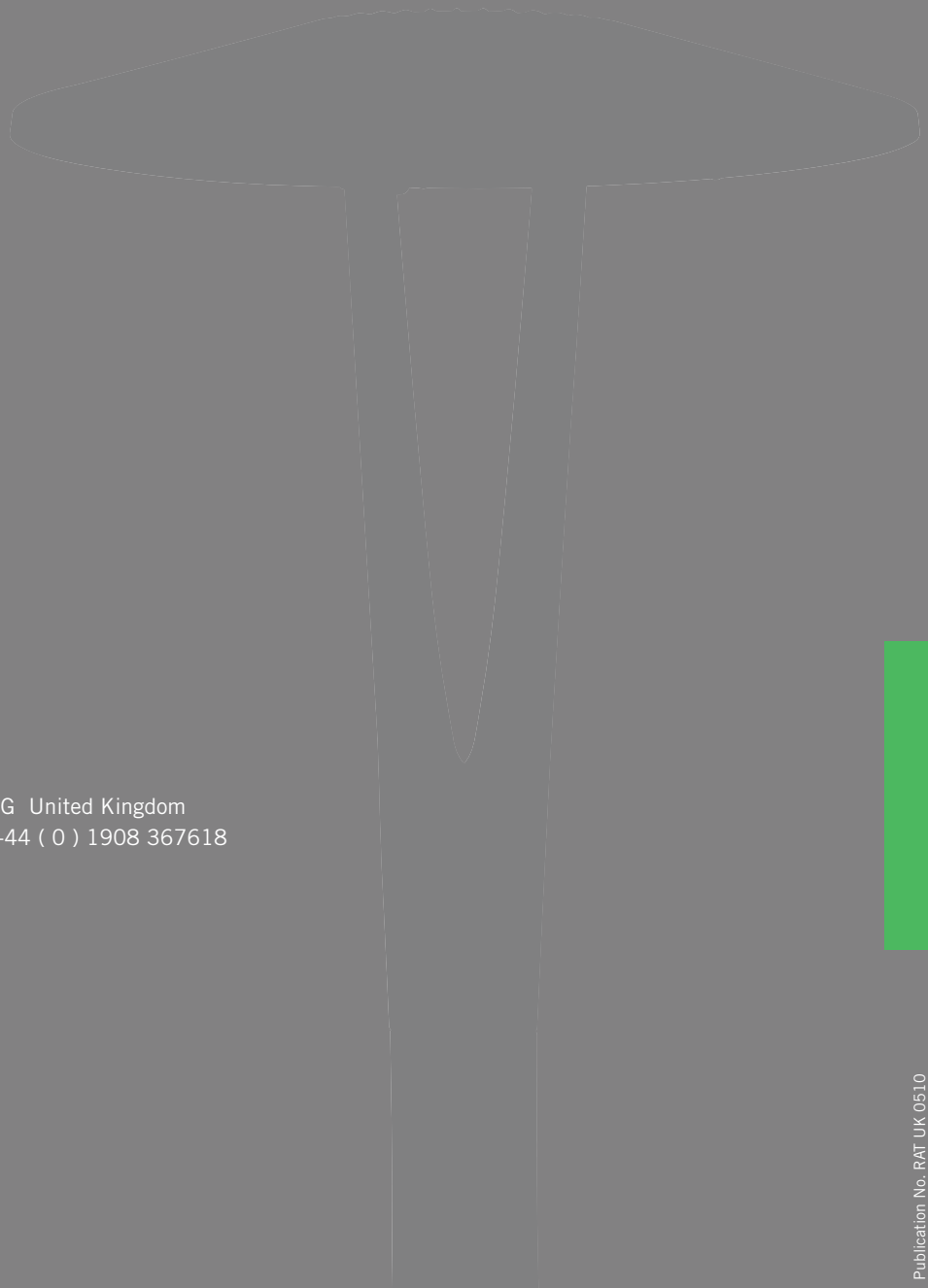
## ordering details

To find out more  
please visit  
[www.holophane.co.uk](http://www.holophane.co.uk)

Code	
RTO	Ratio
<b>Code</b>	<b>Lamp Type</b> (required)
.48WWH	48 x 4.1w LEDs
<b>Code</b>	<b>Optics</b> (required)
.AY	Asymmetric Distribution
.SY	Symmetrical Light Distribution
<b>Code</b>	<b>Colour</b> (required)
.C7	Black (RAL 9005)
.C9	Metallic Silver (RAL 9006)
.RAL****	RAL Colour (customer choice)
<b>Code</b>	<b>Fixing Method</b> (required)
.76AD	76mm Adapter Mounting (luminaire only, for retrofit only)
.COS	Conical Steel Column (suitable for all EN40 wind zones)
.COA	Conical Aluminium Column (suitable for all EN40 wind zones)
<b>Code</b>	<b>Height</b> (required if COS or COA selected)
.3	3 metre (to optical centre)
.4	4 metre (to optical centre)
.5	5 metre (to optical centre)
<b>Code</b>	<b>Brackets</b> (required)
.1A	Single Head
<b>Code</b>	<b>Column Category</b> (required if COS or COA selected)
.LMZ	For light and medium area wind zones
.HVZ	For heavy area wind zones
.HEZ	For extra heavy area wind zones
<b>Code</b>	<b>Options</b>
	<b>Fixing Method</b>
.FB1	Flange Base
	<b>Column Finish</b>
.3T2	top coat to match specified luminaire colour if required
.4T2	top coat to match specified luminaire colour if required
.5T2	top coat to match specified luminaire colour if required
<b>Example</b>	RTO .48WWH .AY .C7 .COS .3 .1A .LMZ .FB1

## luminaire accessories

Code	
<b>HEL.CBEPAC1</b>	Cut out box and earth plate for armoured cable
<b>HELB.FS1</b>	M18 x 400 J-Anchor bolts for flange base 3m - 5m (aluminium and steel columns)



**ratio**

Holophane Europe Limited  
Bond Avenue, Bletchley, Milton Keynes MK1 1JG United Kingdom  
Telephone: +44 ( 0 ) 1908 649292 UK Fax: +44 ( 0 ) 1908 367618  
International Fax: +44 ( 0 ) 1908 272029  
E-mail: [info@holophane.co.uk](mailto:info@holophane.co.uk)

[www.holophane.co.uk](http://www.holophane.co.uk)



**HOLOPHANE**<sup>®</sup>

An *Acuity* Brands Company

