

ARONA

Barrier with Advertising Board

The Barrier conforms to:

UNI EN 10219-1/2 steel components

UNI EN 1461 galvanising

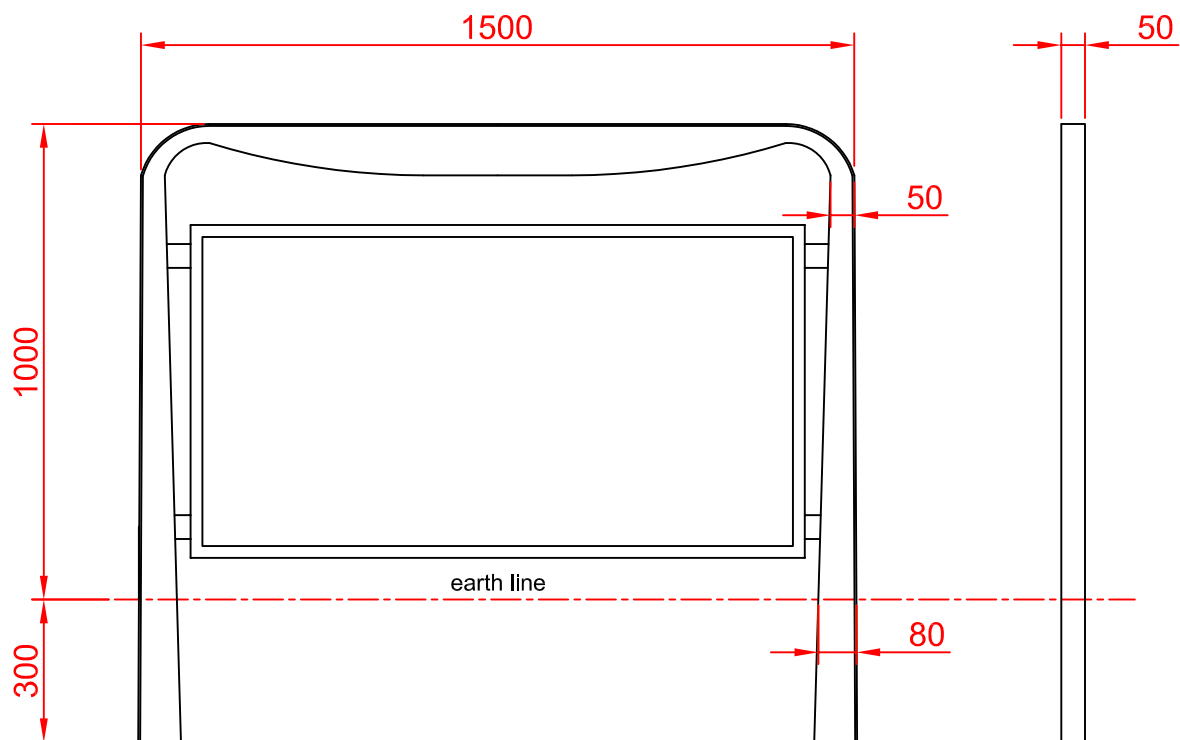
The Barrier is Laser cut to produce the distinctive arona family shape complete with advertising frame attachment. (Advertising Panel by others)

Overall Height: 1300mm

Height above ground: 1000mm

Length: 1500mm

Width: 50mm

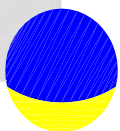


Certification: UNI EN ISO 9001:2000

Sch06: technical card of specifications

Revision: 01 - Date Rev. 22/10/2004 - Scale: 1:16

SCH06_ARONA Barrier with Advertising Board_R00



HOLOPHANE
LEADER IN LIGHTING SOLUTION

Holophane Europe Ltd

Bond Avenue, Milton Keynes, MK1 1JG, United Kingdom

Tel : +44 (0) 1908 649292 Fax : +44 (0) 1908 367618

e-mail : info@holophane.co.uk

web : www.holophane.co.uk or www.holophane.eu.com