

ARONA BENCH

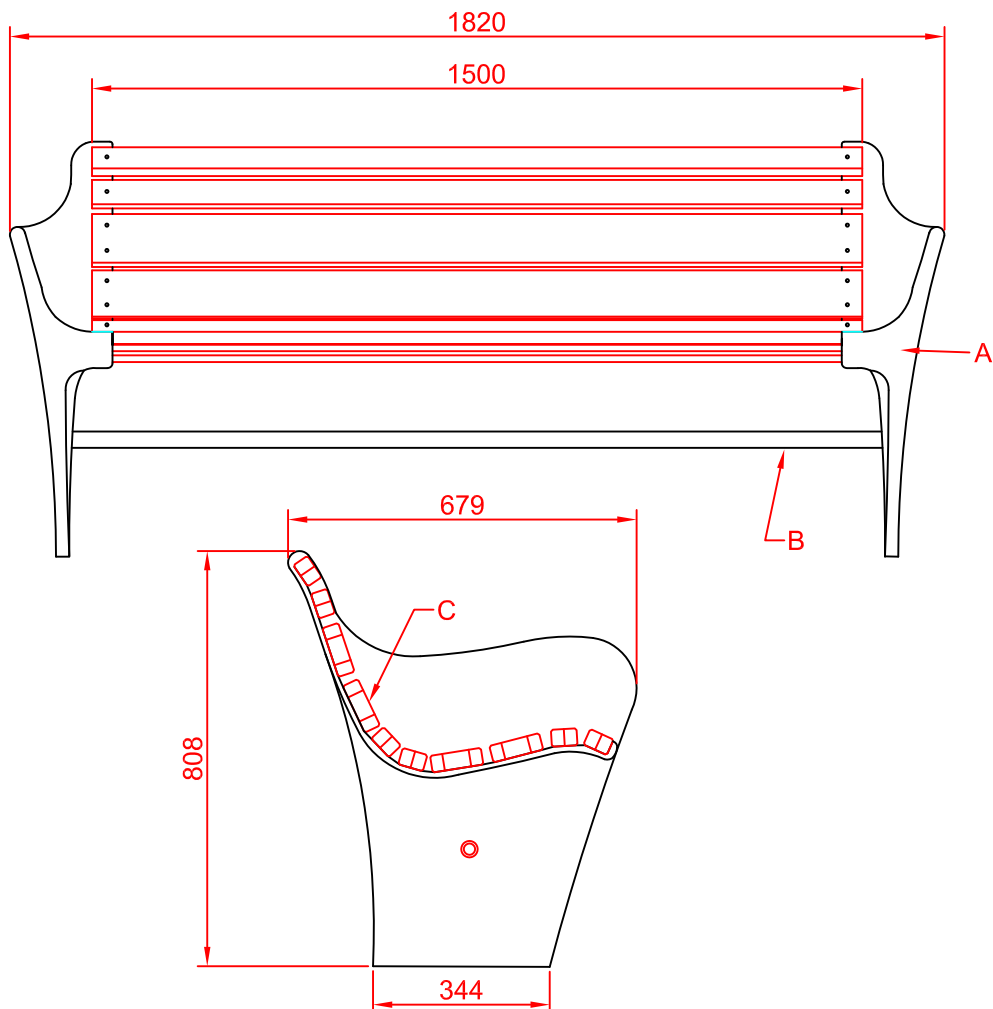
"With Back & Sides"

The bench is made up of the following components:

- A) Two Cast iron Back/Sides with built in ground fixing strut.
- B) One 1500mm Long, Ø33mm Steel strengthening cross member with M10 fixings.
- C) 10 off wooden Iroko slats of which 6 are (1480x50x33mm) and 4 are (1480x100x33mm) supplied with suitable stainless steel screws, washers and nuts for fixing.

Overall Height: 808mm
Overall Length: 1820mm
Length: 1500mm
Overall Base Width: 679mm
Width: 344mm

Note: The bench is delivered in component format must be assembled on site by other.



Certification: UNI EN ISO 9001:2000

Sch06: technical card of specifications
Revision: 01 - Date Rev. 22/10/2004 - Scale: 1:15
SCH06_ARONA BENCH "With Back & Sides"_R00




HOLOPHANE[®]
LEADER IN LIGHTING SOLUTION

Holophane Europe Ltd
Bond Avenue, Milton Keynes, MK1 1JG, United Kingdom
Tel : +44 (0) 1908 649292 Fax : +44 (0) 1908 367618
e-mail : info@holophane.co.uk
web : www.holophane.co.uk or www.holophane.eu.com