

ARONA bollard

The bollard conforms to CEI regulations with an ingress protection of IP43.

Aluminium components comply with the following standard UNI EN 1706.

Cast iron components comply with UNI EN 1561.

An illuminating bollard manufactured from cast iron with a $\varnothing 272\text{mm}$ and 850mm height from ground. Comprising of the following elements.

- A) 50mm high aluminium bollard head fixed to luminaire body via 3 stainless steel fixing screws.
- B) 870mm tall cast iron bollard body including a 70mm root mounting section pre drilled for fixing.
- C) Gasket 400mm tall $\varnothing 180\text{mm}$ symmetrical opaque acrylic lens.
- D) Twist lock key hole slot gear tray to support gear and lamp.
- E) Acrylic coloured tube to wash lens (C) with colour. Colour to be specified.
- F) Aluminium access door.

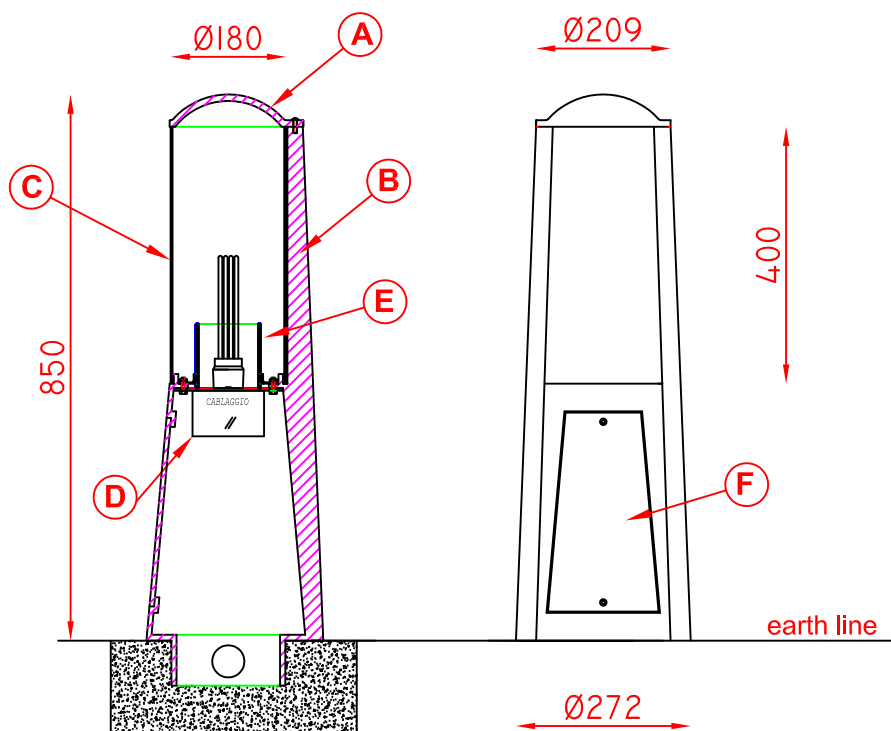
Overall Height : 850mm from ground level (920mm total length)

Diameter top: 209mm max

Diameter base 272mm max

Diameter of lens 185mm

IP	MAX TA
43	40°C



METAL HALIDE			
70 W			
☉			
⊕			
☐			
FLUORESCENT			
42 W			
☉			
⊕			
☐			

Certification: UNI EN ISO 9001:2000

Sch06: technical card of specifications

Revision: 01 - Date Rev. 22/10/2004 - Scale: 1:12

SCH06_ARONA bollard_R00

Holophane Europe Ltd

Bond Avenue, Milton Keynes, MK1 1JG, United Kingdom

Tel : +44 (0) 1908 649292 Fax : +44 (0) 1908 367618

e-mail : info@holophane.co.uk

web : www.holophane.co.uk or www.holophane.eu.com



HOLOPHANE
LEADER IN LIGHTING SOLUTION

GHI S A M E S T I E R I