

denver™ wall

applications

- Corporate office
- Frontages
- Building perimeters
- Amenity areas
- Walkways
- Passage ways
- Precincts

With its contemporary styling, the Denver™ Wall mount luminaire blends with surrounding architecture by day, maintaining efficient illumination at night. Designed for low to medium mounting heights (3m to 5m), the compact Denver™ Wall Mount luminaire offers exceptional performance characteristics for a highly effective solution for wall mounted applications. The latest in control gear and lamp technology, coupled with a precisely engineered refractive lens and pre-anodised reflector assembly, achieve maximum performance combined with high efficiency.



features and benefits

Contemporary styling

- > Unique aesthetic appeal to complement today's architecture

High quality construction

- > Durability
- > Fully weather sealed

Optional photocell

- > Flexibility

Single bottom entry option

& through-wire option

- > Offers installation flexibility

Emergency options

- > Improved security

Self-retaining strap

- > Ease of maintenance

lamp types included

35W - 100W metal halide (various)

50W - 70W high pressure sodium

18W - 42W compact fluorescent (various)

IP rating

IP65 

approvals

Complies with EN60598

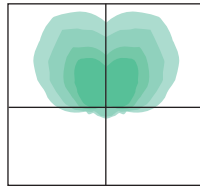
CE



specification

The luminaire shall consist of a high pressure die-cast aluminium body, housing integral control gear to suit a wide choice of high intensity discharge or compact fluorescent lamps. The optical arrangement shall consist of an aluminium reflector and prismatic injection-moulded polycarbonate refractive lens. An acrylic lens shall be available as an option. A closed cell resilient gasket with four stainless steel screws maintains uniform gasket compression ensuring an IP65 rating at all times. The luminaire shall be suitable for wall mounting and complies with EN60598 with a choice of options and accessories.

light distributions

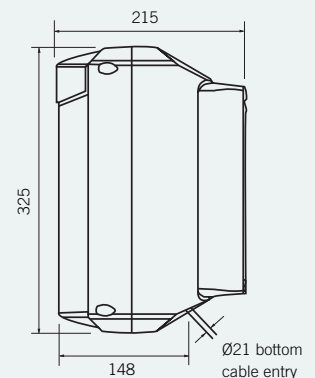
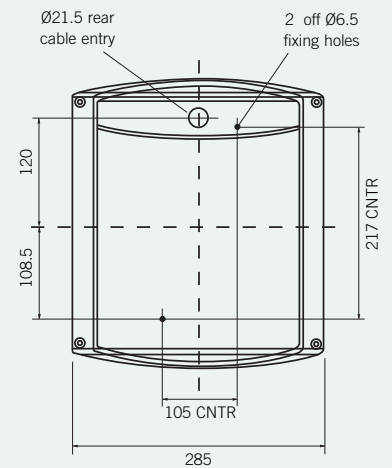


Photometric data is available at www.holophane.eu.com

weights & thermal data

Lamp Type	Weight (kg)	Min. Operating Temperature (°C)	Max. Ambient Temperature* (°C)
50W High Pressure Sodium	4.7	-30	50
70W High Pressure Sodium	4.7	-30	45
35W Metal Halide	4.7	-20	55
70W Metal Halide	4.7	-20	45
100W Metal Halide	4.7	-20	40
18W Compact Fluorescent	4.2	-5	60
26W Compact Fluorescent	4.2	-5	55
32W Compact Fluorescent	4.2	-10	45
42W Compact Fluorescent	4.2	-10	40

* The maximum ambient temperatures stated are for exterior use only. For interior use deduct 10°C from the temperature stated.



optical arrangement

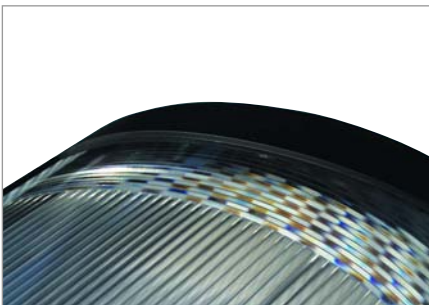


A combination of reflector and refractive lens arrangement provides precise optical control

easy maintenance



A retaining strap holds the luminaire front in place, allowing for easy maintenance.



The horizontal and vertical prism arrangement allows for improved visual comfort with excellent spacing capabilities

denver wall mounting heights

Lamp Type	Min. Recommended Mounting Height	Recommended Mounting Height
18PL	2.5m	2.5m-3m
26PL	2.5m	2.5m-3m
32PL	2.5m	2.5m-3m
42PL	2.5m	2.5m-3m
35CDMTF3	3m	3m-4m
50XT	3m	3m-4m
70CDMT3	4m	4m-5m
70XT	4m	4m-5m

ordering details : luminaire

**Code**

NDWS Denver Wall

Code	Lamp Type
.50XT	50W Clear high output HPS lamp (E27) base
.70XT	70W Clear high output HPS lamp (E27) base
.35CDMTF3	35W Clear CDMT 3000K metal halide lamp (G12) base*
.70CDMT3	70W Clear CDMT 3000K metal halide lamp (E27) base*
.100CDMT3	100W Clear CDM-T 3000K metal halide lamp (E27) base
.18PL2	18W 4000K Compact fluorescent 2-Pin lamp (G24d-2) base
.18PL4	18W 4000K Compact fluorescent 4-Pin lamp (G24q-2) base
.26PL2	26W 4000K Compact fluorescent 2-Pin lamp (G24d-3) base
.26PL4	26W 4000K Compact fluorescent 4-Pin lamp (G24q-3) base
.32PL4	32W Triple tube 4000K compact fluorescent 4-Pin lamp (GX24q-3) base
.42PL4	42W Triple tube 4000K compact fluorescent 4-Pin lamp (GX24q-4) base
Code	Colour
.C1	White (RAL 9016)
.C4	Graphite (RAL 7011)
.C6	Grey (RAL 7035)
.C7	Black (RAL 9005)
.C9	Metallic Silver (RAL 9006)
.RAL****	RAL colour (customer choice)**
Code	Options
.A	Acrylic
.C	Enhanced paint finish
.T	Photocell (Factory Fitted)
.S5	Single bottom entry***
.S6	Twin bottom entry****
Example	NDWS .18PL2 .C9 .S6

* All ceramic lamp circuits contain timed ignitors. ** Please specify RAL colour reference. *** S5 accepts 2.5mm² cable and single 21.5mm Ø bottom entry. **** S6 accepts 2.5mm² cable and twin 21.5mm Ø bottom entry, allowing through wiring. Note: Other voltages available on request.

luminaire accessories

order separately for on-site installation by others

Code

DWS.TC70 Photocell (Retro-fit).



ordering details : emergency luminaire

Code

NDWE	Denver Wall Emergency Version				
	Code	Lamp Type			
	.18PL4	18W 4000K Compact fluorescent 4-Pin lamp (G24q-2) base			
	.26PL4	26W 4000K Compact fluorescent 4-Pin lamp (G24q-3) base			
	.32PL4	32W Triple Tube 4000K compact fluorescent 2-Pin lamp (GX24q-3) base			
	.42PL4	42W Triple Tube 4000K compact fluorescent 2-Pin lamp (GX24q-4) base			
		Code	Colour		
		.C1	White (RAL 9016)		
		.C4	Graphite (RAL 7011)		
		.C6	Grey (RAL 7035)		
		.C7	Black (RAL 9005)		
		.C9	Metallic Silver (RAL 9006)		
		.RAL****	RAL colour (customer choice)*		
			Code	Emergency	
			.ME	Maintained emergency (3 hour)	
				Code	
			.A	Acrylic	
			.C	Enhanced paint finish	
			.T	Photocell (Factory Fitted)	
			.S5	Single bottom entry***	
			.S6	Twin bottom entry****	
Example	NDWE	.18PL4	.C9	.ME	.S6

* Please specify RAL colour reference. * All ceramic lamp circuits contain timed ignitors. ** Please specify RAL colour reference. *** S5 accepts 2.5mm2 cable and single 21.5mm Ø bottom entry. **** S6 accepts 2.5mm2 cable and twin 21.5mm Ø bottom entry, allowing through wiring.