

# dorchester®

## applications

Roads  
Car parks  
Precincts  
Paths

With limited upward light Dorchester® provides an improved solution to the problem of light pollution. With a modern, chamfered rectangular shape that blends well with contemporary architecture, Dorchester® offers a choice of an asymmetric light distribution providing a wide sideways spacing capability or a forward throw light distribution ideal for area lighting. For total flexibility of design, Dorchester® can be column-mounted with single or twin heads or alternatively wall-mounted.



**features and benefits**

Distinctive low profile styling

- > Blends well with contemporary architecture
- > Fully weather sealed

Efficient light control

- > Reduced light spillage or waste
- > Reduced energy costs

Limited upward light

- > 'Night time friendly'

Choice of light distributions

- > Maximum efficiency and uniformity for many applications

Choice of lamp types

- > Versatility

Choice of mounting systems

- > Design flexibility

**lamp types included**

250W - 400W metal halide (various)

100W - 400W high pressure sodium

**IP rating**

IP655 

**approvals**

Complies with EN60598

CE

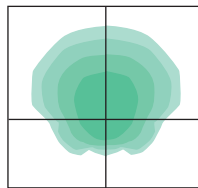


### specification

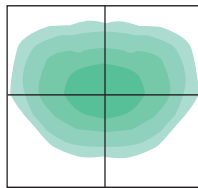
The luminaire shall consist of a faceted rectangular fabricated steel, seam welded body which shall incorporate a removable gear tray secured in position by a single retaining wing nut and be suitable for a wide choice of high intensity discharge lamps. The hinged aluminium die-cast doorframe shall be held in place by two rotary fasteners. The optical assembly shall consist of a specular hydro-formed aluminium reflector for an asymmetric or a composite reflector assembly for a forward-throw distribution. A tempered flat glass ensuring either a forward throw or asymmetric light distribution. A closed cell gasket ensures an IP rating of 655. The luminaire complies with EN60598 with a range of bracketry and columns to suit. Additional options and accessories are also available.

### light distributions

Forward throw (.FW)



Asymmetric (.AY)

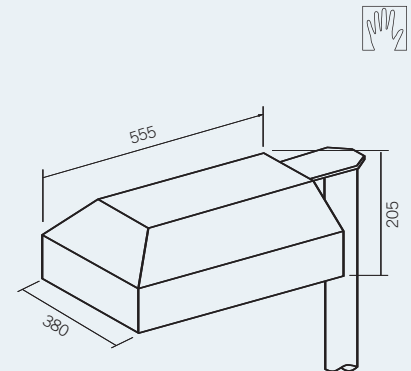


Photometric data is available at [www.holophane.eu.com](http://www.holophane.eu.com)

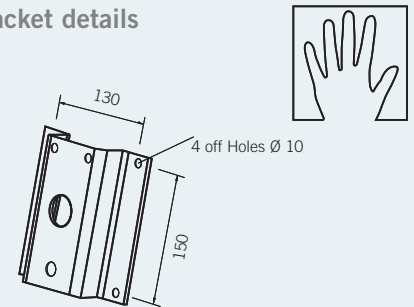
### weights & thermal data

Lamp Type	Weight (kg)	Min Operating Temperature (°C)	Max Ambient Temperature* (°C)	
			AY	FW
250W High Pressure Sodium	20.0	-30	40	30
400W High Pressure Sodium	21.0	-30	25	25
100W Metal Halide	18.5	-20	45	35
150W Metal Halide	19.0	-20	45	35
250W Metal Halide	20.0	-20	35	30
400W Metal Halide	21.0	-20	25	25

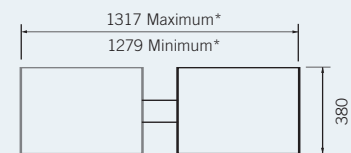
\* The maximum ambient temperatures stated are for exterior use only. For interior use deduct 10°C from the temperature stated.



### bracket details



Wall Mount Bracket **SOM1.WB**



Twin Head  
(Plan View)

\*Overall size variable dependent upon spigot size. All bracket combinations are supplied complete with suitable fixing kits.



ordering details : luminaire

**Code**

NDOR	Dorchester				
<b>Code</b>	<b>Lamp Type</b>				
.100XT	100W Clear high output HPS lamp (E40) base				
.150XT	150W Clear high output HPS lamp (E40) base				
.250XT	250W Clear high output HPS lamp (E40) base				
.400XT	400W Clear high output HPS lamp (E40) base				
.250HT	250W Clear 5000K metal halide lamp (E40) base				
.400HT	400W Clear 5000K metal halide lamp (E40) base				
.250CDMT3	250W Clear CDM-T 3000K metal halide lamp (E40) base				
.400CDMT3	400W Clear CDM-T 3000K metal halide lamp (E40) base				
<b>Code</b>	<b>Light Distribution</b>				
.AY	Asymmetric				
.FW	Forward Throw				
<b>Code</b>	<b>Colour</b>				
.C1	White (RAL 9016)				
.C4	Graphite (RAL 7011)				
.C6	Grey (RAL 7035)				
.C7	Black (RAL 9005)				
.C9	Metallic Silver (RAL 9006)				
.RAL****	RAL colour (customer choice)**				
<b>Code</b>	<b>Options</b>				
.C	Enhanced paint finish				
.G	Wire guard				
.T	Photocell (Factory Fitted)				
<b>Example</b>	NDOR	.150XT	.AY	.C9	.G

Note: Luminaires are supplied as standard for use on 240V 50Hz supply and complete with lamp. Note: Maximum distance between remote control gear and lamp is variable. Holophane to advise.

**luminaire accessories**

order separately for on-site installation by others

**Code**

<b>DOR.S1</b>	Back light shield (for .FW distribution)
<b>SOM.TC70</b>	Photocell & fixing kit (Retro-fit)*
<b>SOM1.WB</b>	Wall mount bracket



Option .G Wire Guard

\* Only available with forward throw optical arrangement.

## ordering details : brackets



Code		Dorchester Brackets			
DORA	<b>Code</b>	<b>Brackets</b>			
	.1A	Single head			
	.2A	Twin head			
	<b>Code</b>	<b>Suspension</b>			
	.60B	60mm o/d			
	.76B	76mm o/d			
	.101B	101mm o/d			
	<b>Code</b>	<b>Colour</b>			
	.C1	White (RAL 9016)			
	.C4	Graphite (RAL 7011)			
.C6	Grey (RAL 7035)				
.C7	Black (RAL 9005)				
.C9	Metallic Silver (RAL 9006)				
.RAL****	RAL Colour (customer choice)**				
	<b>Code</b>	<b>Optional Paint Finish</b>			
	.C	Enhanced paint finish			
<b>Example</b>	DORA	.1A	.76B	.C1	.C

\*\*Please specify RAL colour reference.

