

muralux™

applications

- Facades
- Canopies
- Ceilings
- Security
- Sign lighting

Muralux™ is a low wattage floodlighting luminaire, combining architectural appeal with lighting flexibility. A selection of five popular light distributions allows total control over the lighting design, whether it is overall wallwashing, highlighting specific points with a spot distribution or throwing light forwards from the luminaire. Muralux™ has been designed to be slim in appearance to blend into its environment and can be used with a range of different lamp types to produce a myriad of light solutions



features and benefits

Heavy duty construction

> Durability

Compact size

> Unobtrusive

Unique reflector designs

> Versatility & maximum efficiency

Five light distributions

> Suitable for a multitude of applications

Choice of lamp types

> Versatility

lamp types included

70W - 150W metal halide (various)

70W - 150W ceramic metal halide

70W - 150W high pressure sodium

IP rating

IP65 

approvals

Complies with EN60598

CE



<< routeco - milton keynes
< david stow building - strathclyde university

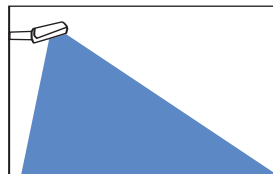
specification

The luminaire shall consist of a two piece die cast aluminium body, housing all integral control gear to suit a wide choice of high intensity discharge lamps. The castings shall be hinged and sealed together by a closed cell resilient gasket and secured by a single stainless steel screw ensuring IP65 is maintained. The optical assembly shall consist of either a spot, forward throw, or wallwash reflector, secured in position and complete with a clear tempered glass fully sealed to the front casting. The luminaire shall be suitable for wall mounting and complies with EN60598.

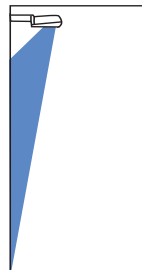
light distributions



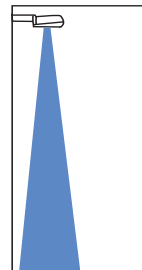
Asymmetric Ceiling wash



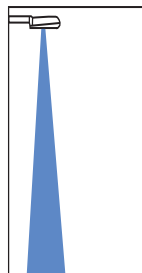
Asymmetric Forward throw



Asymmetric Wall wash



Symmetric 20° Spot

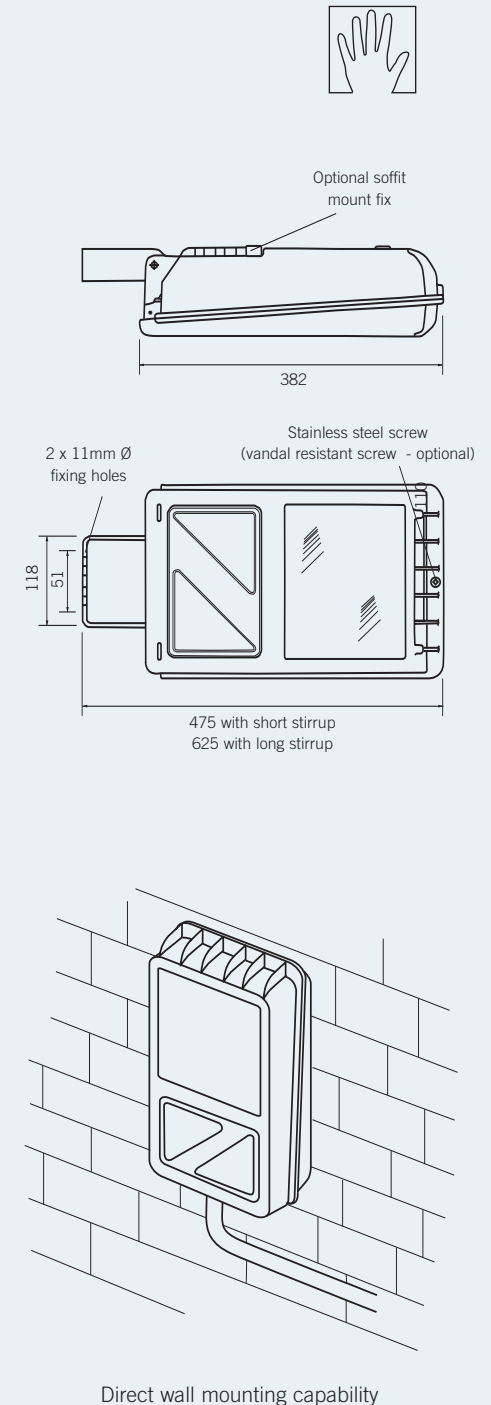


Symmetric 10° Spot

weights & thermal data

Lamp Type	Weight (kg)*	Min Operating Temperature (°C)	Max Ambient Temperature (°C)**
70W High Pressure Sodium	4.5	-30	55
150W High Pressure Sodium	5.5	-30	45
70W Metal Halide	4.5	-20	55
150W Metal Halide	5.5	-20	45

* Luminaire only. For short stirrup add 0.5 kg, for long stirrup add 1 kg. ** The maximum ambient temperatures stated are for exterior use only. For interior use deduct 10°C from the max temperature.





ordering details : luminaire

Code

NMUR	Muralux					
	Code	Lamp Type				
	.70STT	70W Clear standard output HPS double Ended lamp (RX7s) base				
	.150STT	150W Clear standard output HPS double Ended lamp (RX7s) base				
	.70CDMTF3	70W Clear CDM-T 3000K ceramic metal halide lamp (G12) base				
	.150CDMTF3	150W Clear CDM-T 3000K ceramic metal halide lamp (G12) base				
	.70CDMTT3	70W Clear CDM-T 3000K ceramic metal halide double ended lamp (RX7s) base				
	.150CDMTT3	150W Clear CDM-T 3000K ceramic metal halide lamp (RX7s) base				
		Code	Light Distribution			
		.CW	Ceiling Wash*			
		.WW	Wallwash*			
		.FW	Forward throw*			
		.SP	Spot 20° Distribution**			
		.SN	Spot 10° Distribution**			
			Code	Bracketry		
			.3S	350mm Outreach		
			.5S	500mm Outreach		
				Code	Colour	
				.C1	White (RAL 9016)	
				.C4	Graphite (RAL 7011)	
				.C6	Grey (RAL 7035)	
				.C7	Black (RAL 9005)	
				.C9	Metallic Silver (RAL 9006)	
				.RAL****	RAL colour (customer choice)***	
					Code	Options
					.C	Enhanced paint finish
					.V	Vandal resistant screw
					.CV	Clear polycarbonate visor
Example	NMUR	.150STT	.FW	.3S	.C9	.V

* Not suitable for G12 lamps. ** Only suitable for G12 lamps. ***Please specify RAL colour reference. Note: Other voltages available on request. Timed ignitors available on request.

luminaire accessories

order separately for on site installation by others

Code

HEL.VK Key for Vandal Resistant Screw