

prismalume® s

applications

Production areas
Machine shops
Aircraft hangars
Exhibition areas
Shops / stores
Railway stations

The aesthetic appeal coupled with superior light control offers an unprecedented controlled light output ratio of up to 95%, Prismalume® was the first and still is the best luminaire of its type on the market today. Specially designed prismatic glass both reflects and refracts to create a visually appealing environment by projecting light directly onto the working area whilst at the same time illuminating the walls and ceiling without shadows. Installation costs can also be reduced as fewer luminaires need be used to maintain the required uniformity criteria.




features and benefits

- Reduction of shadows
 - > Enhanced visual environment
- Superior vertical illuminance
 - > Improved visual perception
- Maximum efficiency
 - > Cost savings due to reduced number of luminaires
- Choice of spacing characteristics
 - > To suit exact dimensions of environment
- Controlled luminaire brightness
 - > Reduced glare
- Easy installation and maintenance
 - > Reduced installation and maintenance costs
- A Superglass luminaire
 - > Utilises advanced technology
- Electronic Gear options
 - > Continuous dimming
 - > Energy Efficient
 - > Improved lamp life
 - > 1-10v Signal control voltage
 - > High frequency operation

lamp types included

- 250W - 450W metal halide (various)
- 250W - 400W high pressure sodium

IP rating

- IP20 (standard)
- IP54 (enclosed version with .WL option) 

approvals

Complies with EN60598

CE



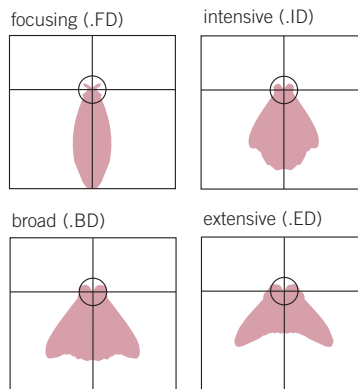
To find out more about Superglass or e-capsule please visit www.holophane.eu.com



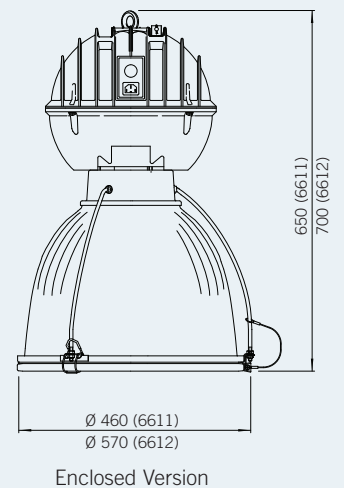
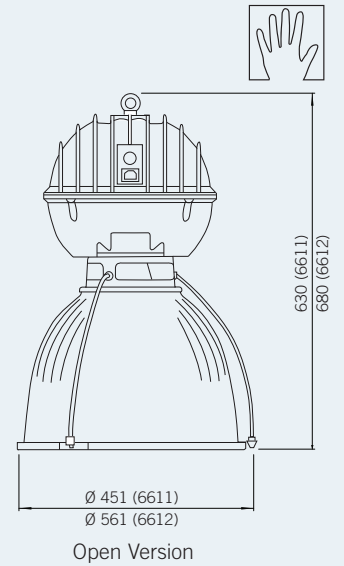
specification

The luminaire shall consist of a prismatic borosilicate glass reflector/refractor providing direct and indirect lighting, suspended below a spherical gear capsule with integral control gear to suit a choice of high intensity discharge lamps. The optical assembly shall be open top and bottom (choice of enclosed optical assembly shall be available), and offer a multiple choice of light distributions. The capsule shall consist of a two-part die-cast aluminium assembly, with electrical connections to the capsule by means of an external plug and socket arrangement. The luminaire complies with EN60598 with an IP rating of 20 for open type, and IP54 for enclosed.

light distributions



Photometric data is available at www.holophane.eu.com



weights & thermal data

PLS/EPLS Electromagnetic control gear

Lamp Type	Integral Control Gear c/w Reflector Weight (kg)		Operating Temperature (°C)	
	6611	6612	Minimum	Maximum
	250W High Pressure Sodium	17.5	22.5	-30
400W High Pressure Sodium	18.5	23.5	-30	40
250W Metal Halide	17.5	22.5	-20	40
400W Metal Halide	18.5	23.5	-20	40
450W Metal Halide	18.5	23.5	-20	35

Note: Please add 3kgs for enclosed version

PLSE Electronic control gear

Lamp Type	Integral Control Gear c/w Reflector Weight (kg)		Operating Temperature (°C)	
	6611	6612	Minimum	Maximum
	320W Metal Halide Lamp	14.5	19.5	-30
350W Metal Halide Lamp	14.5	19.5	-30	35
400W Metal Halide Lamp	14.5	19.5	-30	35



Open version (PLS)



Tool-Free Access to Lamp



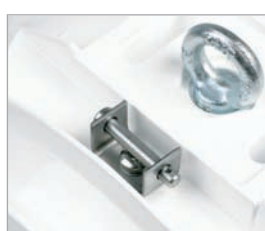
Suspension loop



Enclosed version (EPLS)

.M Electronic relay circuit
with standby lampPlug & socket arrangement
(standard)HEL.OK Open/closed loop
adaptor (Karabiner)

.B Flush mounting bracket

.Q Catenary mounting
bracket.WL Wet location
(IP54 capsule).CA Safety chain
attachment

ordering details : luminaire

**Code**

NPLS	Ventilated Prismalume Super Glass
NEPLS	Enclosed Prismalume Super Glass

Code	Lamp Type
.250HDPSP	250W coated 3700K protected pulse start metal halide lamp (E40) base
.400HDPSP	400W coated 3700K protected pulse start metal halide lamp (E40) base
.250HTPSP	250W coated 3700K protected pulse start metal halide lamp (E40) base
.400HTPSP	400W coated 3700K protected pulse start metal halide lamp (E40) base
.450HDVP	450W coated 3700K protected start metal halide lamp (E40) base
.450HTVP	450W clear 3700K protected start metal halide lamp (E40) base

Code	Optics Nominal SHR Reflector†
.FD	6612 Focusing
.ID	6612 Intensive
.BD	6611 Broad
.ED	6611 Extensive

Code	Control Gear Options
.M	Electronic relay circuit complete with standby lamp
.P01	Lamp for customer auxiliary 230/240v supply
.Y01	Complete with 3 hour sustained emergency battery and inverter
.IG	Timed Ignitor
.WL	Wet location (IP54 capsule) with glanded entry

Code	Mounting Options
.R	Remote control gear yoke assembly not spherical capsule
.B	Flush mounting bracket*
.Q	Catenary mounting bracket
.CA	Safety chain attachment (chain not included)

Code	Optional paint Finish
.RAL****	Customer specified colour***

Example

NPLS	.250HDPSP	.FD	.R	.RAL
------	-----------	-----	----	------

*.B &.Q not available together. ***Please specify RAL colour reference. Note: Luminaires are supplied as standard complete with lamp. Other supply variations available upon request.

† SHR

.FD	focusing	0.7:1 to 0.9:1
.ID	intensive	0.9:1 to 1.2:1
.BD	broad	1.2:1 to 1.7:1
.ED	extensive	1.7:1 to 2.2:1

accessories**Code**

HEL.LOOP	Suspension loop
HEL.OK	Open / closed loop adapter (Karabiner)
HEL.TS3	High Temperature silicon cable for remote gear ignitor circuits. state length required 3.5

**Code**

PLSE Ventilated Primalume S Electronic Gear Version

Code **Lamp Type**

.320HTPSP	320W Clear Protected Pulse Start Metal Halide Lamp
.320HDPSP	320W Coated Protected Pulse Start Metal Halide
.350HDPSP	350W Coated Protected Pulse Start Metal Halide
.350HTPSP	350W Clear Protected Pulse Start Metal Halide Lamp
.400HTPSP	400W Clear Protected Pulse Start Metal Halide Lamp
.400HDPSP	400W Coated Protected Pulse Start Metal Halide

Code **Dimming Rate (Optional) i.e. without no dimming**

.ANF**	Analogue (1-10 volt DC) Fast Dim System
.ANS****	Analogue (1-10 volt DC) Slow Dim System
.DIF**	Digital (MADLI) Fast Dim System
.DIS****	Digital (MADLI) Slow Dim System

Code **Distribution (Required)**

.FD	6612 focusing
.ID	6612 intensive
.BD	6611 broad
.ED	6611 extensive

Code **Control Gear Options**

.M	Electronic relay circuit complete with standby lamp
.WL	Wet location (IP54 capsule) with glanded entry

Mounting Options

.B	Flush mounting bracket
.Q	Catenary mounting bracket
.CA	Safety chain attachment (chain not included)

Code **Optional Paint Finish**

.RAL****	Customer specified colour***
----------	------------------------------

Example

PLSE	.320HTPSP	.ANF	.FD	.M	.RAL
------	-----------	------	-----	----	------

** Fast dimming up speed (approx. 5 seconds up and 3 minutes down)

*** Customer specified RAL colour **** Standard dimming speed (approx 3 minutes up and 3 minutes down)

accessories (for PLSE only)**Code**

ECAP.PCB	Photo-light Sensor with analogue 1 10V output signal. Requires 24VDC power supply. Compatible with Building Management Systems (BMS). Complete with suspension mounting shroud.
ECAP.PCRC	Photo-light Sensor with analogue 1 10V output signal. Complete with suspension mounting shroud and remote variable adjustment.
ECAP.PDD130	Single 30m Range Presence Detector and remote variable adjustment
ECAP.PDD230	Two Linked 30m Range Presence Detectors with remote variable adjustment
ECAP.PDD160	Single 60m Range Presence Detector and remote variable adjustment
ECAP.PDD260	Two Linked 60m Range Presence Detectors with remote variable adjustment