

prismpackette®

applications

- Railway stations
- Loading bays
- Machine shops
- Walkways
- Mezzanines
- Exhibition areas

In any industrial environment where mounting heights are restricted, Prismpackette is the solution. Incorporating all necessary control gear, Prismpackette provides a choice of two prismatic glass optics, including a completely enclosed refractor system for areas where high vertical illuminances and higher IP ratings are required. Additionally a flush-mounting bracket can be provided to fix the luminaire directly to the ceiling where height restrictions may be paramount.



features and benefits

Choice of prismatic assemblies

> Suitable for a multitude of applications

> Design flexibility

Quality construction

> Durability

Easy installation

> Reduced installation costs

Flush mounting option

> Suitable for lower mounting heights

lamp types included

100W - 250W metal halide (various)

70W - 250W high pressure sodium

IP rating

IP20 (standard)

approvals

Complies with EN60598



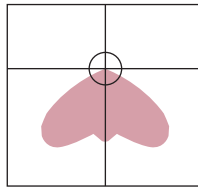
Open Primalume style glass reflector/refractor (.85)

specification

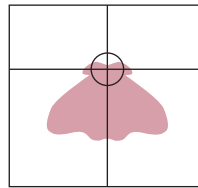
The luminaire shall consist of a choice of two borosilicate glass reflector/refractor assemblies. The optical assemblies shall be retained by two sliding latches fixed directly to the gear housing. The rectangular integral control gear capsule shall consist of a two-part die-cast aluminium assembly suitable to operate a choice of low wattage high intensity discharge lamps with electrical connections to the luminaire by means of a plug and socket arrangement. The luminaire complies with with an IP rating of 20 as standard. The luminaire shall be IP65 for the enclosed reflector type when used with a glanded cable entry.

light distributions

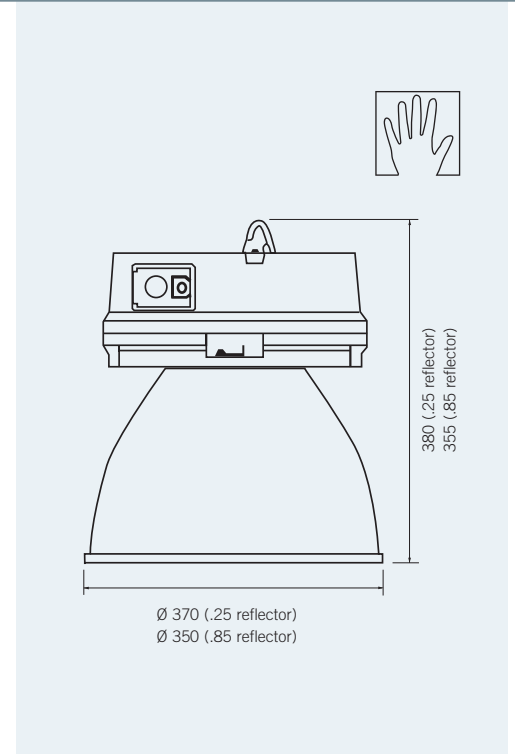
.25 reflector



.85 reflector



Photometric data is available at www.holophane.eu.com



weights & thermal data

Lamp Type	Control Gear c/w Reflector Weight (kg)		Operating Temperature (°C)	
	25	85	Minimum	Maximum
70W High Pressure Sodium	9.0	11.0	-30	60
100W High Pressure Sodium	9.0	11.0	-30	50
150W High Pressure Sodium	10.0	12.0	-30	45
250W High Pressure Sodium	n/a	13.0	-30	30
100W Metal Halide	9.0	11.0	-20	50
150W Metal Halide	10.0	12.0	-20	45
250W Metal Halide	n/a	13.0	-20	40



ordering details : luminaire

Code

NPKT	Prismpackette
------	---------------

Code	Lamp Type
.70XT	70W Clear high output HPS lamp (E27) base
.100XT	100W Clear high output HPS lamp (E40) base
.150XT	150W Clear high output HPS lamp (E40) base
.250XT	250W Clear high output HPS lamp (E40) base
.250XD	250W Coated high output HPS lamp (E40) base**
.100MA	100W Clear 3700K metal halide lamp (E27) base
.150MA	150W Clear 4000K metal halide lamp (E27) base
.250HDPSP	250W Coated 3700K protected pulse start metal halide lamp (E40) base
.250HDP	250W Coated 5000K protected metal halide lamp (E40) base**

Code	Reflector Style
.25	Open prismatic glass reflector
.85	Open 'prismalume' style reflector

Code	Options
.B	Flush mounting bracket
.CA	Safety chain fix (chain not supplied)
.M	Electronic relay circuit
.PO1	Lamp for customer auxiliary 230/240v supply
.IG	Timed ignitor
.RAL****	RAL Colour (customer choice)†

Example	NPKT	.100MA	.25	.B
----------------	------	--------	-----	----

** Not suitable for .85 reflector †Please specify RAL colour reference. Note: Luminaires are supplied as standard complete with lamp. Other supply variations available on request.

luminaire accessories

order separately for on site installation by others

Code

HEL.LOOP	Suspension Loop
----------	-----------------



Option .B
Flush mounting bracket



Option .CA
Safety chain attachment