

# RONDO luminaire

Cast aluminium components comply to the following standard UNI EN 1706

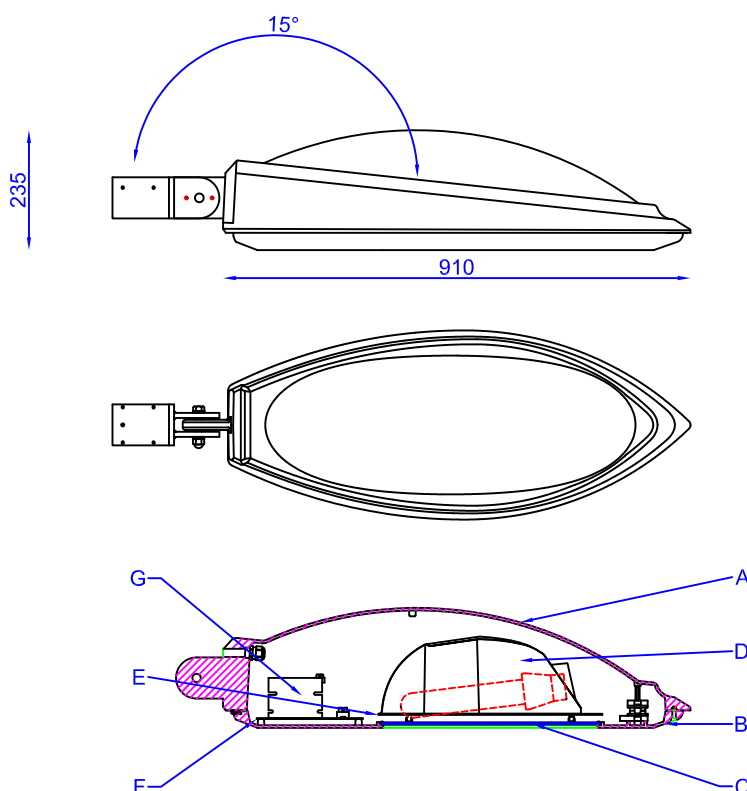
The Luminaire conforms to CEI regulations with an ingress protection of IP65 optic & IP43 Luminaire

- A) Luminaire oval body enclosure manufactured in cast aluminium. Housing the control gear and optics
- B) Luminaire oval hinged access door to control gear and optics manufactured from cast aluminium with single point fix.
- C) Clear flat tempered glass lens.
- D) Anodised aluminium reflector.
- E) White painted galvanized steel reflector decorative cover.
- F-G) Zinc plated galvanized steel gear tray assembly with control gear.

**Notes:**

- Lamp holders for E27 & E40
- Angle bracket which allow Ø60mm side entry mount or base entry can angled through 15 degrees.
- Screws in stainless steel.

Overall Height : 235mm  
 Overall Length : 910mm  
 Weight : 12kg



HIGH PRESSURE SODIUM			
	150 W	250 W	400 W
	CE	CE	CE
	⊕	⊕	⊕
	□	□	□
METAL HALIDE			
	150 W	250 W	400 W
	CE	CE	CE
	⊕	⊕	⊕
	□	□	□

⊕ Class I  
 □ Class II

IP	MAX TA	WINDAGE
43/65	40°C	0.18 m <sup>2</sup>

Certification: UNI EN ISO 9001:2000

SCH06: technical card of specifications  
 Revision: 01 - Date Rev. 10/11/2004  
 SCH06\_RONDO luminaire\_R00

Holophane Europe Ltd  
 Bond Avenue, Milton Keynes, MK1 1JG, United Kingdom  
 Tel : +44 (0) 1908 649292 Fax : +44 (0) 1908 367618  
 e-mail : info@holophane.co.uk  
 web : www.holophane.co.uk or www.holophane.eu.com



GHI S A M E S T I E R I