

RONDO' obelisks

A central decorative flange based conical obelisk pole with decorative pierced pattern creating an ambient lighting effect by the addition of a selectable coloured internal polycarbonate lens which is illuminated by an integral 150W metal halide lamp.

The obelisk is either circular, square or triangular in cross section and is manufactured from fabricated steel type UNI EN 10111:2000 welded along the length and hot dip galvanised to UNI-EN40/4.

Round cross section

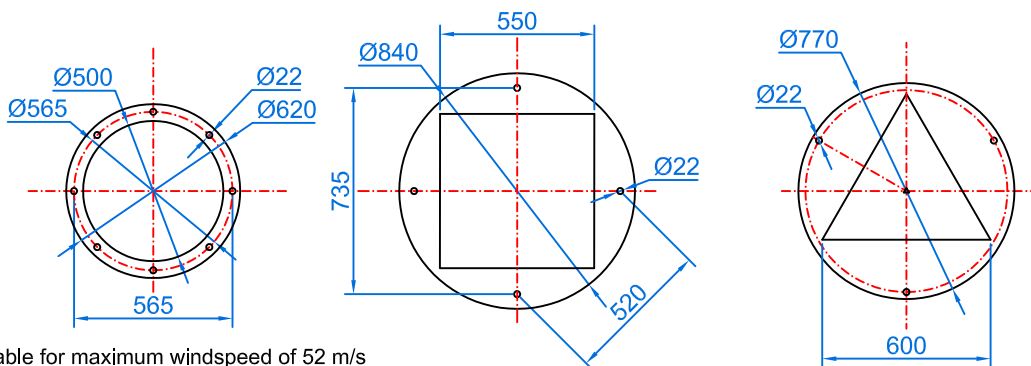
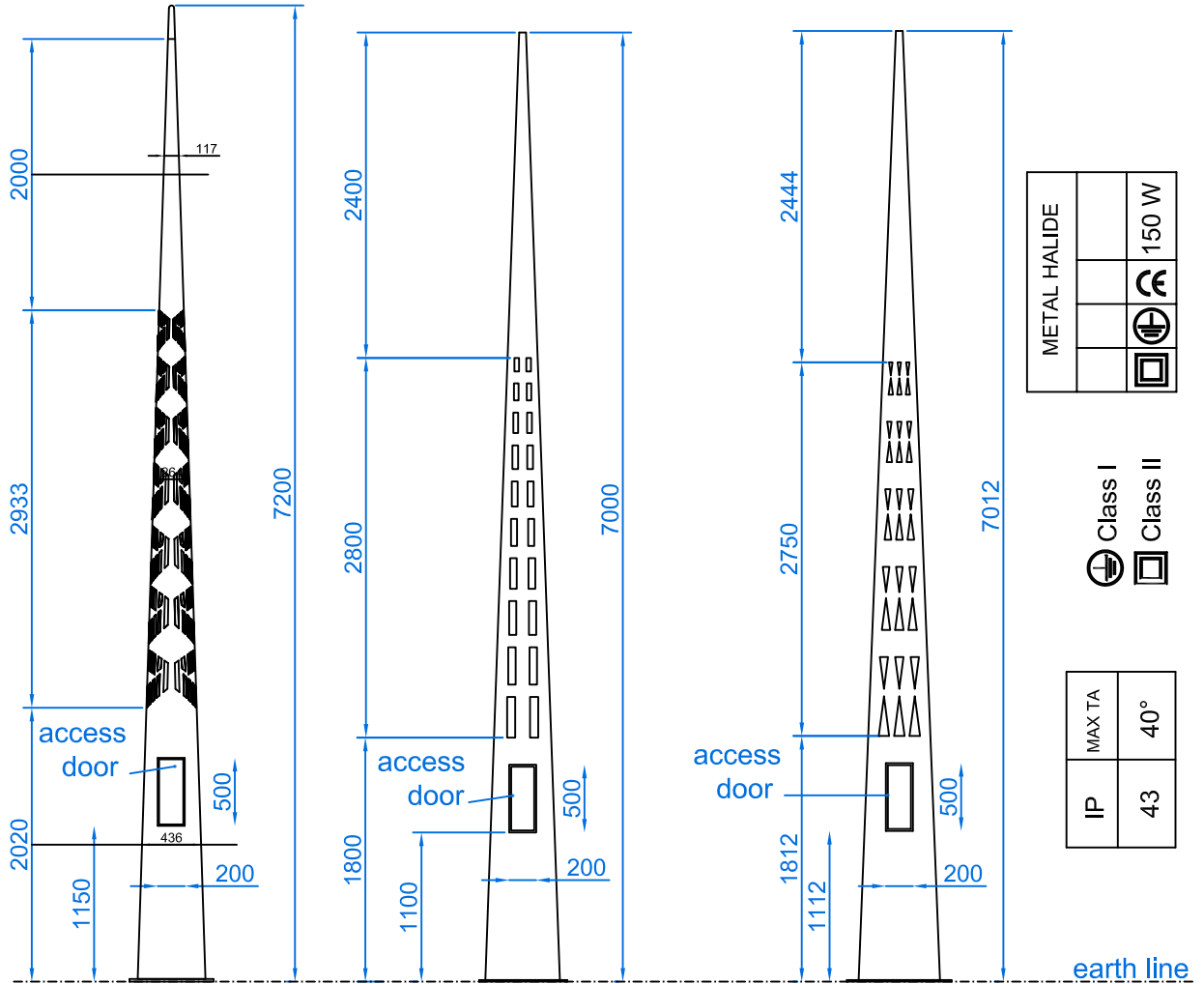
Acute conical tapered pole
Base Ø500mm
Point Ø37mm max
Anchor bolts 8 x M18

Square cross section

Acute conical tapered pole
Base Ø840mm
Point 45mm max
Anchor bolts 8 x M18

Triangular cross section

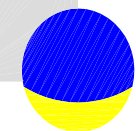
Acute conical tapered pole
Base Ø770mm
Point 50mm max
Anchor bolts 8 x M18



suitable for maximum windspeed of 52 m/s
bending moment of pole 8000 Nm
Certification : UNI EN ISO 9001:2000

SCH06: technical card of specifications
Revision: 00 - Date Rev. 18/11/2004 - Scale: 1:28
SCH06_RONDO'_ROMANO_(TOTEM)_R00

Holophane Europe Ltd
Bond Avenue, Milton Keynes, MK1 1JG, United Kingdom
Tel : +44 (0) 1908 649292 Fax : +44 (0) 1908 367618
e-mail : info@holophane.co.uk
web : www.holophane.co.uk or www.holophane.eu.com



HOLOPHANE
LEADER IN LIGHTING SOLUTION

