

## seattle™

## applications

- Area floodlighting
- Building facades
- Car parks
- Security
- Service yards
- Sports facilities
- Retail parks

The Seattle™ floodlight luminaire combines functionality with style. Its contemporary styling and durable construction coupled with a choice of optical arrangements ensure its suitability for a wide range of applications. Precisely controlled light distributions offer maximum efficiency for any application whilst reducing light pollution, spillage and glare. Further flexibility is added through a choice of mounting arrangements, colours and accessories. Street lighting versions of Seattle™ are also available. Please refer to the Holophane street and tunnel lighting brochure for details.





**specification**

The luminaire shall consist of a two-piece die-cast aluminium body and door frame with a maximum depth of 190mm, housing all integral control gear for a variety of high intensity discharge lamps. The body and door frame shall be hinged and sealed together by a closed-cell silicon gasket and secured by a single tool-free latch, ensuring an IP rating of 667. The optical assembly shall consist of a specular aluminium reflector and fully tempered clear front glass sealed to the door frame. The luminaire complies with EN60598 and be mounted by means of a spigot adaptor or stirrup bracket for variable mounting orientations. A range of bracketry and columns is available with a wide choice of options and accessories.

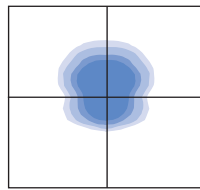
**windage**

**Code**

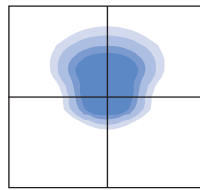
Seattle	0.113m <sup>2</sup>
---------	---------------------

**light distributions**

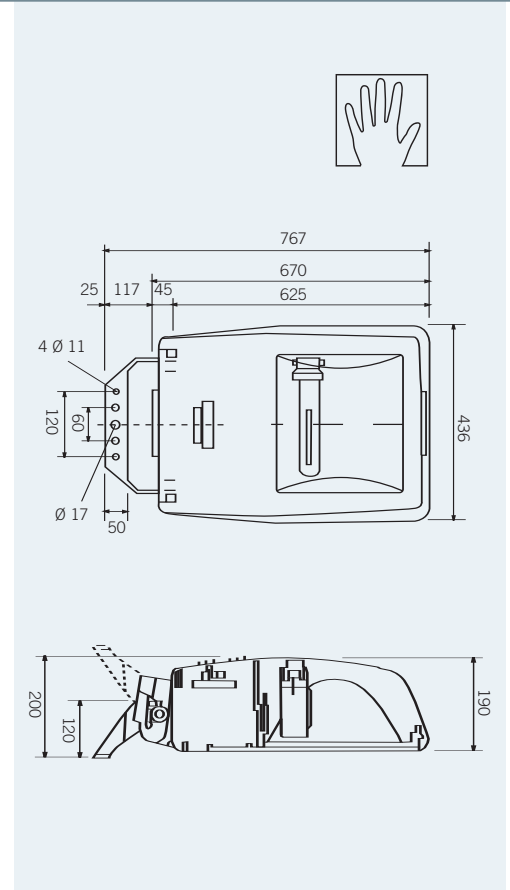
Asymmetric 42°



Asymmetric 60°



Photometric data is available at [www.holophane.eu.com](http://www.holophane.eu.com)

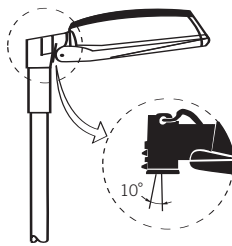


**weights & thermal data**

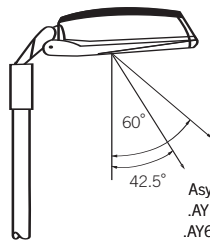
Lamp Type	Weight (kg)	Min Operating Temperature (°C)	Max Ambient Temperature (°C)*
100W, 150W High Pressure Sodium	16	-30	40
250W, 400W High Pressure Sodium	17.5	-30	40
600W High Pressure Sodium	20	-30	40
250W, 400W Metal Halide	20	-20	40

\*The maximum ambient temperatures stated are for exterior use only. For interior use deduct 10°C from the temperature stated

mounting arrangements

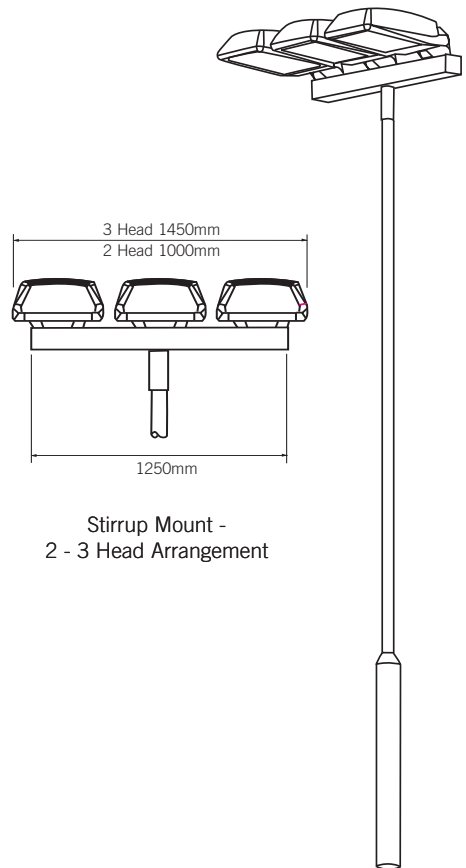


Spigot Mounting - (.60 or .76)  
Single Head Arrangement



Stirrup Mounting -  
Single Head Arrangement

Asymmetric Distribution -  
.AY Peak Intensity - 42.5°  
.AY60 Peak Intensity - 60°

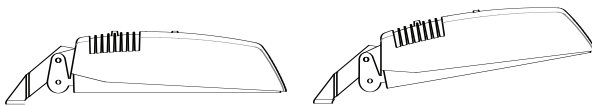


Stirrup Mount -  
2 - 3 Head Arrangement

stirrup

0° Angle Minimum

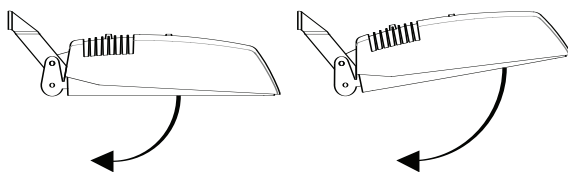
10° Angle Maximum



Column Mount

0° Angle Minimum

10° Angle Maximum



Wall Mount

Both Wall mount versions can be  
angled downwards by up to 90°.



ordering details : luminaire

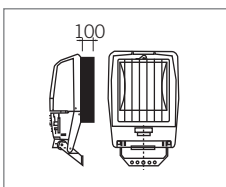
Code	
NSLF	Seattle
Code	Lamp Type
.100XT	100W Clear high output HPS lamp (E40) base
.150XT	150W Clear high output HPS lamp (E40) base
.250XT	250W Clear high output HPS lamp (E40) base
.400XT	400W Clear high output HPS lamp (E40) base
.600XT	600W Clear high output HPS lamp (E40) base
.250CDMT3	250W Clear CDM-T3000K ceramic metal halide lamp (E40) base
.400CDMT3	400W Clear CDM-T3000K ceramic metal halide lamp (E40) base
.250HTPS	250W Clear 4000°K Quartz Metal Halide (E40 positional base)
.400HTPS	400W Clear 4000°K Quartz Metal Halide (E40 positional base)
Code	Light Distribution
.AY	Asymmetric distribution (42° peak beam)
.AY60	Asymmetric distribution (60° peak beam)
Code	Bracketry
.GS	Galvanised steel stirrup
.60	60mm Ø Post top spigot
.76	76mm Ø Post top spigot
Code	Colour
.C4	Graphite (RAL 7011)
.C6	Grey (RAL 7035)
.C7	Black (RAL 9005)
.C9	Metallic Silver (RAL 9006)
.RAL****	RAL colour (customer choice)**
Code	Options
.JB	IP 66 Junction box c/w M20 gland*
.SW	Junction box housing capacitor and ignitor separate from the lamp and ballast for swimming pool locations
<b>Example</b>	NSLF .100XT .AY .GS .C9 .JB

\* Only available with .GS mounting. \*\*Please specify RAL colour reference Note: Luminaires are supplied as standard for use on 240V 50Hz supply and complete with lamp. For 230V 50Hz add prefix 'N' Other voltages available on request. Timed ignitors available on request.

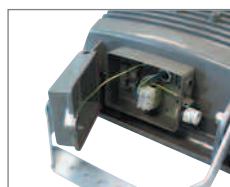
luminaire accessories

order separately for on site installation by others

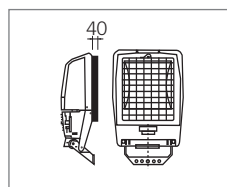
Code	
SLF.VRG	Steel Vandal Resistant Guard (Black)
SLF.AGL	Anodised Aluminium Anti-Glare Louvre (Black)



SLF.AGL  
Anti-glare louvre



.JB Optional Junction Box -  
accepts 2 x M20 cable  
glands



SLF.VRG  
Vandal resistant guard

## ordering details : brackets

Code		Seattle Brackets				
SLFA	<b>Code</b>	<b>No. of Luminaires</b>				
	.1A	Single Head				
	.2A	Twin Head				
	.3A	Three Head				
	<b>Code</b>	<b>Suspension</b>				
	.76	76mm O/D post top spigot (only for .1A and .2A)				
	.GS	Galvanised steel stirrup				
	<b>Code</b>	<b>Spigot</b>				
	.60B	60mm o/d				
	.76B	76mm o/d				
.101B	101mm o/d					
.108B	108mm o/d					
<b>Code</b>	<b>Bracket Colour</b>					
.C1	White (RAL 9016)					
.C4	Graphite (RAL 7011)					
.C6	Grey (RAL 7035)					
.C7	Black (RAL 9005)					
.C9	Metallic Silver (RAL 9006)					
.RAL****	RAL colour*					
<b>Code</b>	<b>Optional Paint</b>					
.C	Enhanced paint finish					
<b>Example</b>	SLFA	.1A	.76	.76B	.C1	.C

\*Please specify RAL colour reference.



Standard - Single M20  
Cable Entry



.60 or .76 Post Top Spigot