

signature® II

applications

- Car parks
- Residential areas
- Shopping precincts
- Parks
- Office complexes

The new Holophane Signature® II luminaire combines a stylish and slimline daytime appearance with outstanding lighting performance. This premier low profile architectural area lighting solution enhances an array of architectural environments from parking areas, roadways, pedestrian walkways and many others with a style and performance that only a Holophane outdoor luminaire can deliver. To limit light pollution, upward light emission is limited by the luminaire housing, whilst the reflectors ensure that the light is distributed to the areas where it is needed. The Signature® II luminaire provides a new profile in illumination for today's contemporary architectural areas.



features and benefits

- Distinctive modern design
- Suits modern architecture
- Precise light control
 - > Maximum efficiency & low glare
- Choice of three optics
- Three bracket options
 - > Post top, Side entry and Cradle
- Tool-free access to lamp and gear tray
 - > Easy maintenance
 - > Fully weather sealed

lamp types included

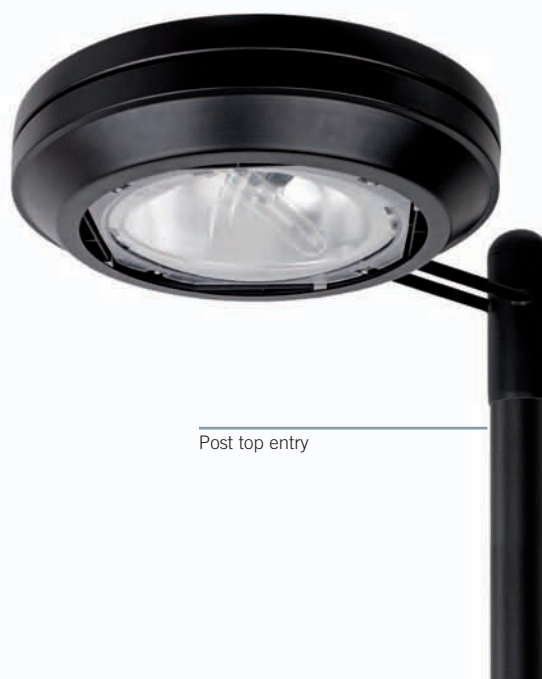
- 100W - 250W metal halide (various)
- 100W - 250W high pressure sodium
- 90W - 140W CosmoPolis

IP ratingIP65 **approvals**

Complies with EN60598

CE

Cradle mount bracket



Post top entry

specification

The luminaire shall consist of a die-cast aluminium chassis mounted via a twin tube bracket system. The integral control gear shall be suitable for a wide choice of high intensity discharge lamps enclosed within an impact resistant spun aluminium architectural housing, secured by two stainless steel spring clips. The optical arrangement shall consist of either a high purity anodised aluminium reflector offering a wide range of light distributions. A polycarbonate moulded front lens, complete with an integral hinging arrangement shall be secured to the chassis via four quarter-turn screws. The lens and enclosure are sealed by a closed cell silicone gasket ensuring an IP rating of 65 is maintained. The luminaire complies with EN60598 with a range of brackets and columns to suit.

windage

Code

Signature	0.2m ²
-----------	-------------------

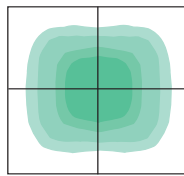
weights and thermal data

Lamp Type	Weight	Min.Operating Temperature (°C)	Max.Operating Temperature (°C)*
100W High Pressure Sodium	12 kg	-30	45
150W High Pressure Sodium	12.5 kg	-30	45
250W High Pressure Sodium	12.5 kg	-30	45
90W CosmoPolis	11 kg	-30	45
140W CosmoPolis	11 kg	-30	60

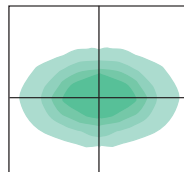
* The maximum ambient temperatures stated are for exterior use only. For interior use deduct 10°C from the temperature stated. Note: For photocell options please deduct 15°C for 100 & 150W types.

light distributions

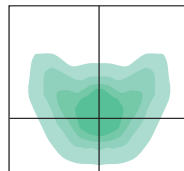
High beam square aluminium (.HS)



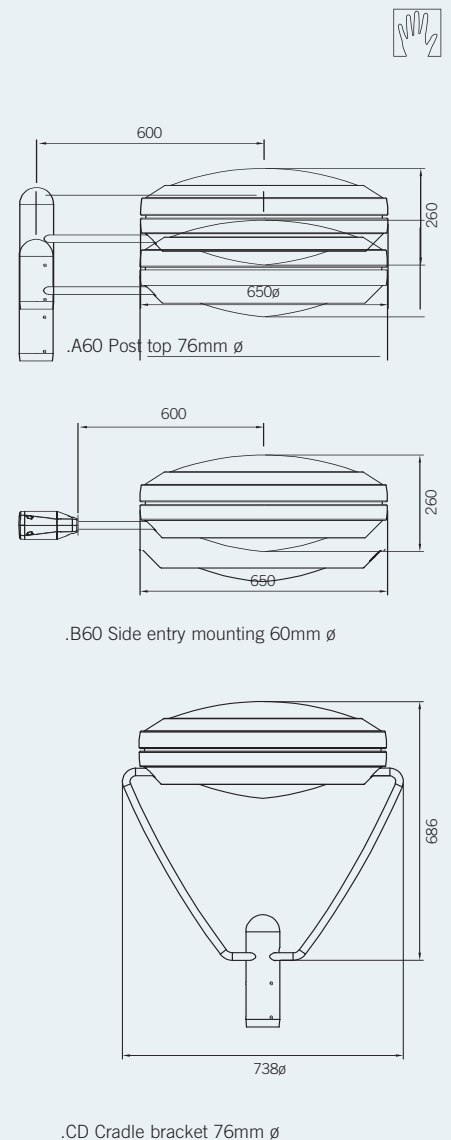
High beam long and narrow (.HN)



High beam asymmetric (.HA)



Photometric data is available at www.holophane.eu.com



ordering details : luminaire



Code	
NSGO	Signature II
Code	Lamp Type
.100XT	100W Clear high output high pressure sodium lamp (E40) base
.150XT	150W Clear high output high pressure sodium lamp (E40) base
.250XT	250W Clear high output high pressure sodium lamp (E40) base
.100CDOTT	100W CDOTT 2800K metal halide lamp (E40) base
.150CDOTT	150W CDOTT 2800K metal halide lamp (E40) base
.250CDMT3	250W Clear CDM-T 3000K ceramic metal halide lamp (E40) base
.90CW	90W CosmoPolis lamp (PGZ 12) base
.140CW	140W CosmoPolis lamp (PGZ 12) base
Code	Light Distribution
.HA	High beam asymmetric distribution
.HN	High beam long and narrow distribution
.HS	High beam square distribution
Code	Fixing System
.SE	Side entry mounting on wall or column (when fitted to appropriate bracket)
.CRD	Double side entry mounting on column (when fitted to .CD bracket)
Code	Colour
.C1	Smooth White (RAL 9016)
.C4	Textured Graphite (RAL 7011)
.C6	Smooth Grey (RAL 7035)
.C7	Textured Black (RAL 9005)
.C9	Metallic Silver (RAL 9006)
.RAL****	RAL colour (customer choice)*
Code	Options
.C	Enhanced paint finish (bracket only)
.R1**	Remote gear
Example	NSGO .250CDMT3 .HA .SE .C9 .C

*Please specify RAL colour reference. **not available for 90CW & 140CW lamp types. Note: Other voltages available on request.

luminaire accessories

order separately for on-site installation by others

Code	
SGN.AA60.WB.C1	Finished in Smooth White (RAL 9016)
SGN.AA60.WB.C4	Finished in Textured Graphite (RAL 7011)
SGN.AA60.WB.C6	Finished in Smooth Grey (RAL 7035)
SGN.AA60.WB.C7	Finished in Textured Black (RAL 9005)
SGN.AA60.WB.C9	Finished in Metallic Silver (RAL 9006)
SGN.AA60.WB.RAL****	Finished in customer specified colour

ordering details : brackets



Code	Luminaire				
SGOA	Signature II Brackets				
	Code	Brackets			
	.1A	Single head			
	.2A	Twin head			
	Code	Bracket Type			
	.CD	Cradle bracket (not with .2A)			
	.A60	600mm Outreach bracket for post top entry			
	Code	Bracket Colour			
	.C1	Smooth White (RAL 9016)			
	.C4	Textured Graphite (RAL 7011)			
	.C6	Smooth Grey (RAL 7035)			
	.C7	Textured Black (RAL 9005)			
	.C9	Metallic Silver (RAL 9006)			
	.RAL***	RAL colour (Customer Choice)*			
	Code	Options			
	.C	Enhanced paint finish			
	.T	Complete with factory fitted mini photocell			
Example	SGOA	.1A	.CD	.C1	.C

*Please specify RAL colour reference.